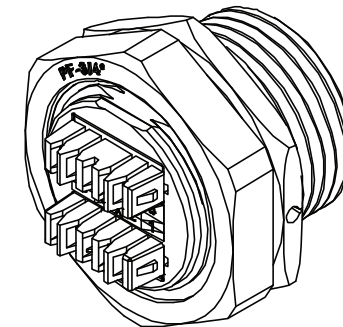
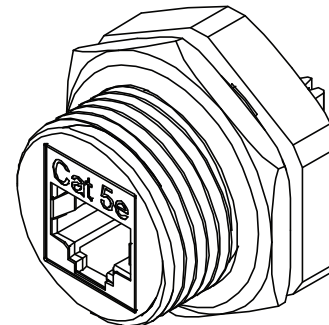
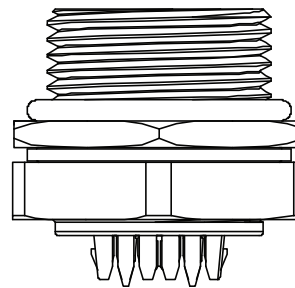


PF 3/4"-14



IP67

ACCORDING TO IEC 60529:2001-02
DEGREES OF PROTECTION:
- Totally protected against dust
- Protected against the effect of temporary immersion for 30 min. in 1-meter depth of water

ELECTRICAL:

CURRENT RATING: 1.5A Min.
CONTACT RESISTANCE:
< 20 Milliohm Max.
INSULATION RESISTANCE:
> 500 Megaohm Min.
DIELECTRIC WITHSTANDING VOLTAGE:
1000V (rms) AC for 1 Minute
OPERATING TEMPERATURE: -10° C to +60° C

MATERIAL:

MAIN HOUSING: Black Thermo Plastic, UL94V-0
CONTACTS: .46mm Diameter, Phosphor Bronze, 50 u" Gold Plating
HEX NUT: Black Thermo Plastic
RJ45 SHIELD: .25mm Thick Copper Alloy, Nickel Plated

HOW TO ORDER:

W R 0 0 - 0 0 1 2 - 0 0 3 0 - Z

REAR TERMINATION:
0 - Coupler

RoHS
COMPLIANT

Rev	Drawn	Checked	Approved	Date
0 Issued	B.S.	S.M.	S.M.	05/02/12

SMP TECHNOLOGY, INC.

RJ45, Panel Mount Coupler, CAT 5e with Keystone Jack

Rear Termination, IP67, Without Dust Cap

TOL. DEC. .X +/- 0.38 .XX +/- 0.25 .XXX +/- 0.10 ANGLE +/- UNIT: mm

P/N: WR00-0012-0030-Z