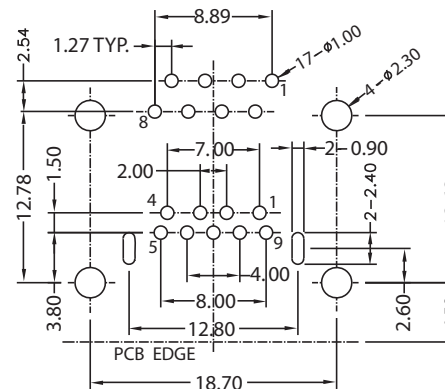
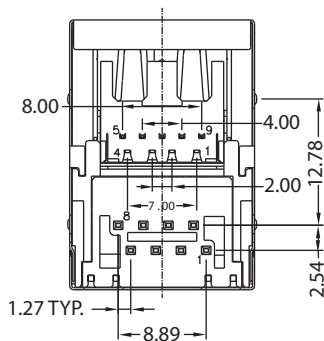


ISOMETRIC VIEW



RECOMMENDED PCB LAYOUT

RJ45 SPECIFICATIONS:

CURRENT RATING: 1.5 AMP MAX.
 VOLTAGE RATING: 125 VDC MAX.
 DIELECTRIC STRENGTH: 500 VAC RMS 60HZ, 1 MIN.
 CONTACT RESISTANCE: 50 mOHMS MAX.
 OPERATING TEMPERATURE: 0°C to +70°C
 INSULATION RESISTANCE: 1000 MOHMS MIN @ 500 VDC.

USB SPECIFICATIONS:

CONTACT CURRENT RATING: 1 AMP
 CONTACT RESISTANCE: 50 mOHM MAX.
 DIELECTRIC WITHSTANDING VOLTAGE: 500 VAC RMS 60HZ, 1 MIN.
 INSULATION RESISTANCE: 1000 MOHMS MIN @ 500 VDC.
 OPERATING TEMPERATURE: 0°C to +70°C

MATERIAL:

HOUSING: Thermoplastic (UL94V-0), Black
 SPRING WIRE: Copper Alloy ; Gold Plating Over Nickel Contact ; Tin Plated on PCB Tail

HOW TO ORDER:

U A 0 0 - 0 1 3 0 - 0 0 X - Z

RJ-45 CONNECTOR:
 0 - STANDARD (8P8C)

USB CONNECTOR:
 0 - USB 3.0 RECEPTACLE

RoHS
COMPLIANT

SELECTIVE PLATING:
 6 - Au FLASH CONTACT AREA/TIN TAIL
 7 - 10u" Au CONTACT AREA/TIN TAIL
 8 - 15u" Au CONTACT AREA/TIN TAIL
 9 - 30u" Au CONTACT AREA/TIN TAIL

TAB OPTION:
 1 - w/OUT EMI SPRING TABS

Rev	Drawn	Checked	Apprvd.	Date
0	B.S.	B.S.	S.M.	01/23/15

SMP TECHNOLOGY, INC.

SCA:n/a Combo Jack; USB 3.0 RECEPTACLE + RJ45; SHIELDED

TOL. DEC. .X +/- 0.25 .XX +/- 0.15 .XXX +/- 0.075 ANGLE +/- 0°.30' UNIT: mm

SERIES: U A 0 0 - 0 1 3 0 - 0 0 X - Z