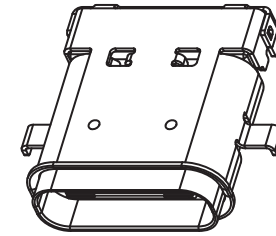
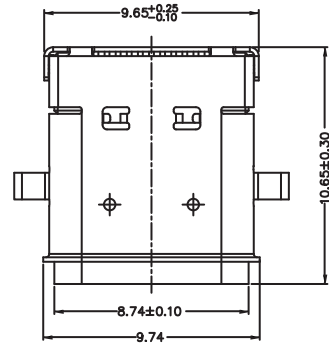
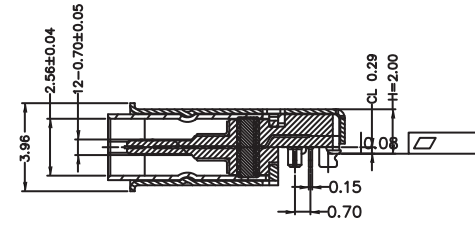
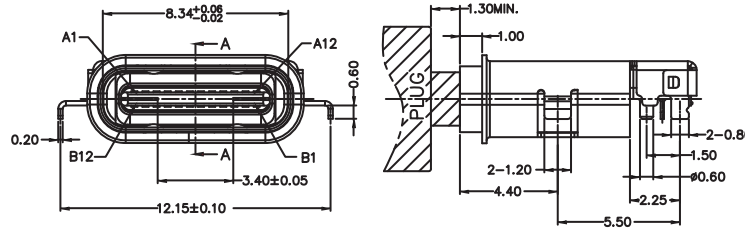


Pin	Signal Name	Mating Sequence	Pin	Signal Name	Mating Sequence
A1	GND	First	B12	GND	First
A3	SSTXp1	Second	B11	SSRXp1	Second
A4	SSTXn1	Second	B10	SSRXn1	Second
A5	VBUS	First	B9	VBUS	First
A6	CC1	Second	B8	SBU2	Second
A7	Dp1	Second	B7	Dn2	Second
A8	Dn1	Second	B6	Dp2	Second
A9	SBU1	Second	B5	CC2	Second
A10	VBUS	First	B4	VBUS	First
A11	SSRXn2	Second	B3	SSTXn2	Second
A12	SSTXp2	Second	B2	SSTXp2	Second
A13	GND	First	B1	GND	First
SHELL	GND		SHELL	GND	



Isometric View



Section A - A

ELECTRICAL:

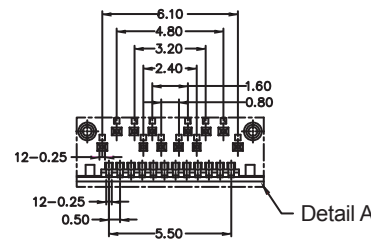
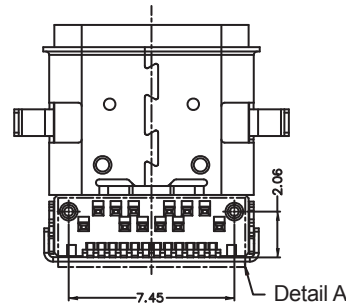
CURRENT RATING: 5A Min. for VBUS,
1.25A Min. for Other

CONTACT RESISTANCE:
< 40 milliohm Max.

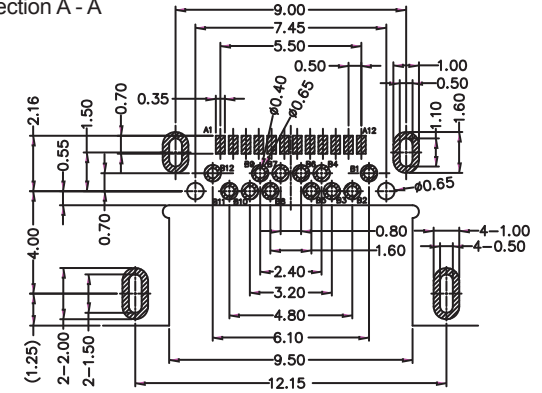
INSULATION RESISTANCE:
> 100 Mgeaohm Min.

DIELECTRIC WITHSTANDING VOLTAGE:
100 VAC for 1 Minute

OPERATING TEMPERATURE: - 55° C ~ 85° C



Detail A



Recommended PCB Layout

MATERIAL:

INSULATOR: LCP, UL94V-0

CONTACTS: Copper Alloy

CONTACT PLATING:

Gold Plating over 50u" Nickel on Contact Area,
100u" Tin/ Plating over 50u" Nickel on Solder Area

SHELL: Stainless Steel with 50u" Nickel Plating

Mechanical:

INSERTION FORCE: 5 ~ 20N Max.

WITHDRAWAL FORCE: 8 ~ 20N Kg

DURABILITY: 10,000 Cycles

HOW TO ORDER:

U 0 4 5 - 0 4 1 5 - 4 0 X X - Z

Insulator Color

0 - Black

BODY STYLE

4 - Female Right Angle
Waterproof

OF POSITIONS

04 - 24 Position
Straddle PCB

MOUNTING STYLE

15 - Right Angle, Combo
SMT & SMT Mid
Mount, 9.74mm(W) x10.65mm (L)
2.00mm Offset

CONTACT AREA PLATING

0 - 4u" Au
1 - 7u" Au
2 - 10u" Au
3 - 15u" Au
4 - 30u" Au

PACKAGING

0 - Tray
2 - Tape & Reel

RoHS COMPLIANT

Rev	Drawn	Checked	Approved	Date	
0	Issued	B.S.	S.M.	S.M.	06/22/17

SMP TECHNOLOGY, INC.

USB 3.1 Type C, Female, 24 Position, Mid Mount, Waterproof

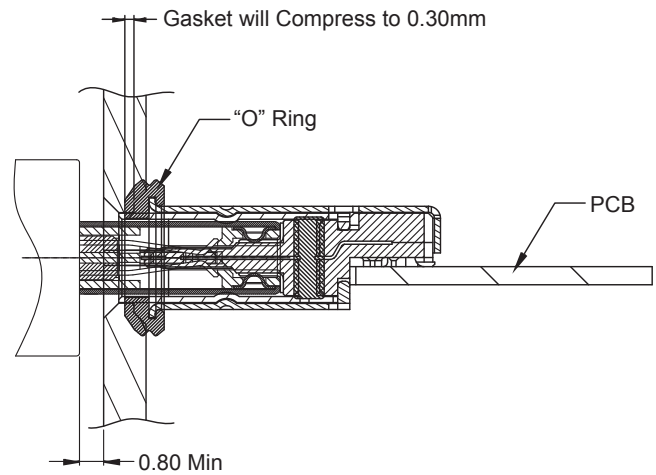
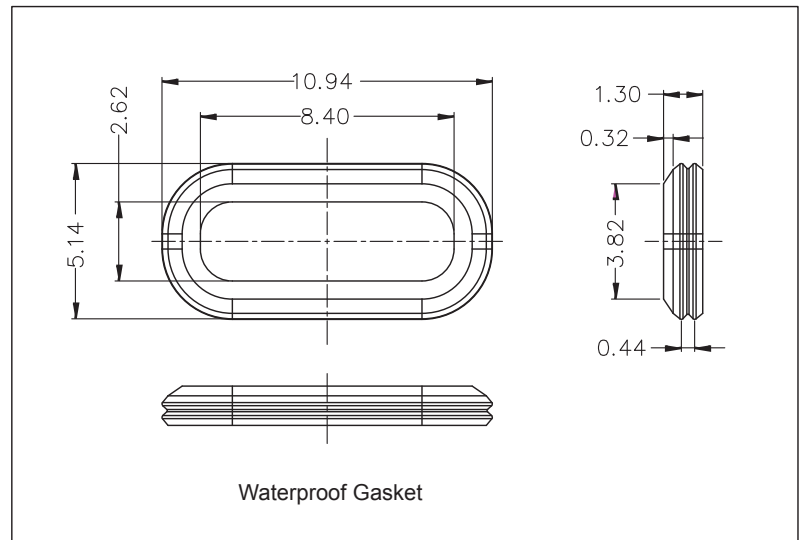
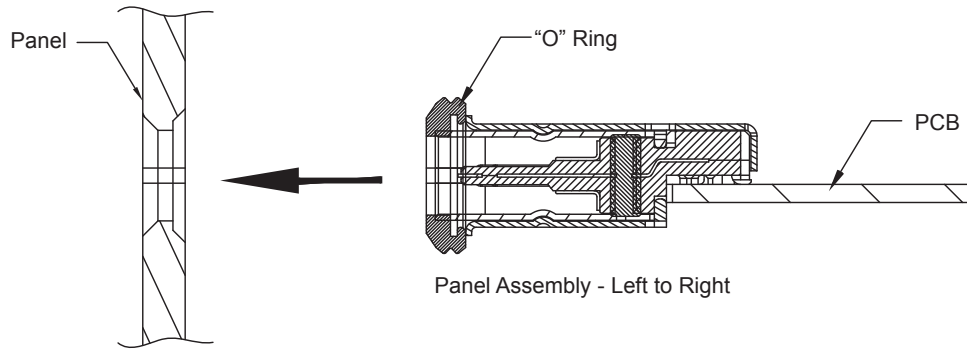
SCALE :N/A

TOL. DEC. .X +/- 0.30 .XX +/- 0.20 .XXX +/-

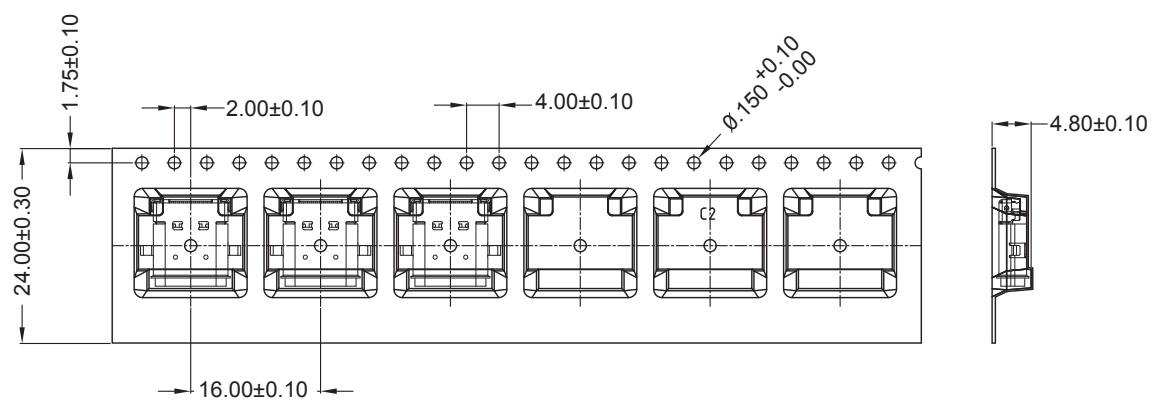
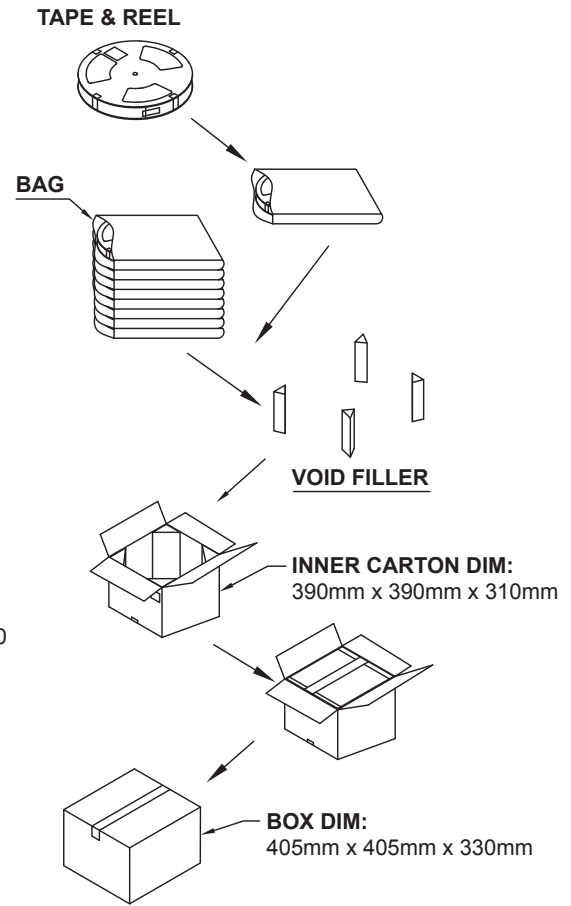
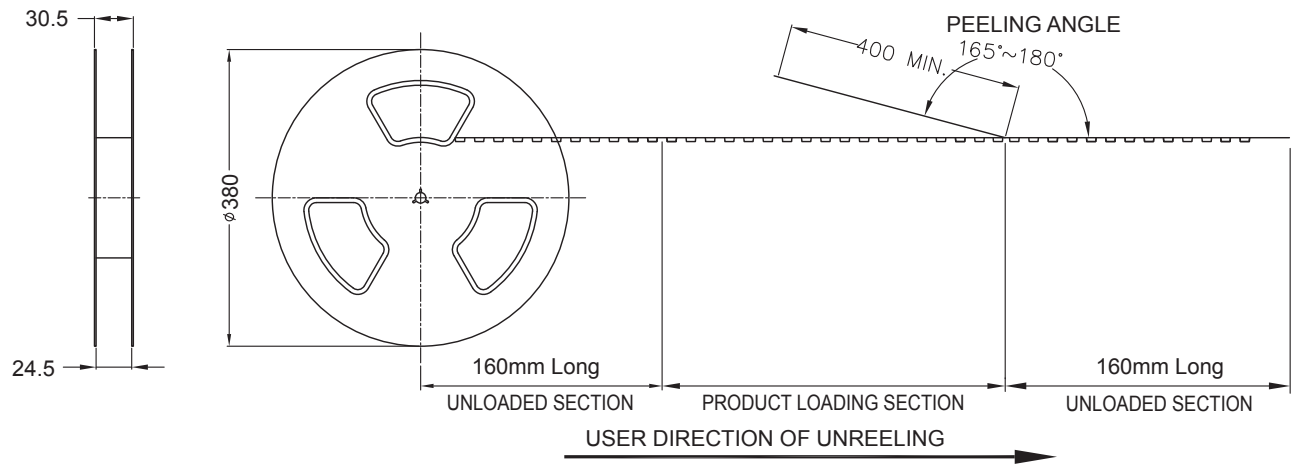
UNIT: mm

SERIES: U045-0415-40XX-Z

Pg: 1 of 3



SMP TECHNOLOGY, INC.	
USB 3.1 Type C, Female, 24 Position, Mid Mount, Waterproof	
SERIES: U045-0415-40XX-Z	Pg: 2 of 3



QUANTITY:
 1 - Reel: 1,000 PCS
 2 - Carton: 10,000 PCS / 10 Reels

SMP TECHNOLOGY, INC.
USB 3.1 Type C, Female, 24 Position, Mid Mount, Waterproof