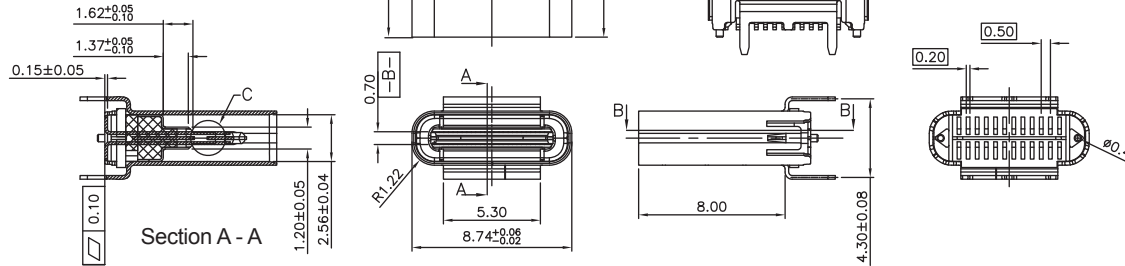
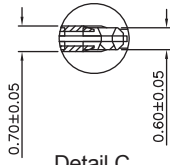


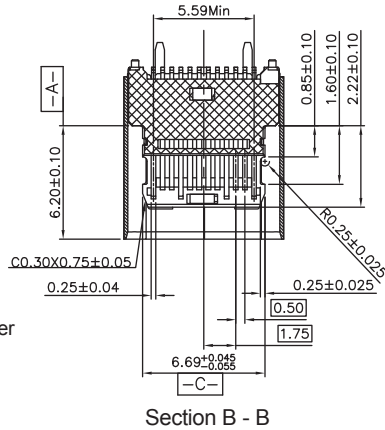
Isometric View



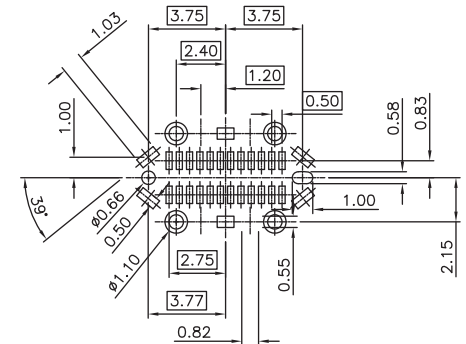
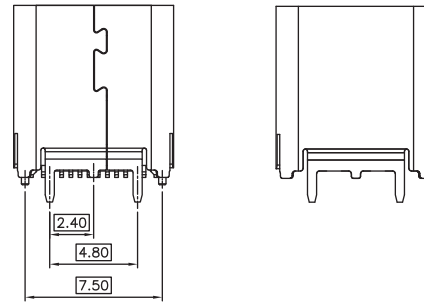
Section A - A



Detail C



Section B - B



Recommended PCB Layout

ELECTRICAL:

CURRENT RATING: 5A Min. for VBUS,
1.25A Min. for Other

CONTACT RESISTANCE:
< 40 milliohm Max.

INSULATION RESISTANCE:
> 100 Mgeaohm Min.

DIELECTRIC WITHSTANDING VOLTAGE:
100 VAC for 1 Minute

OPERATING TEMPERATURE: - 55° C ~ 85° C

MATERIAL:

INSULATOR: LCP, UL94V-0

CONTACTS: Copper Alloy

CONTACT PLATING:

Gold Plating over 50u" Nickel on Contact Area,
100u" Tin/ Plating over 50u" Nickel on Solder Area

SHELL: Stainless Steel with 50u" Nickel Plating

Mechanical:

INSERTION FORCE: 5 ~ 20N Max.

WITHDRAWAL FORCE: 8 ~ 20N Kg

DURABILITY: 10,000 Cycles

HOW TO ORDER:

U 0 2 5 - 0 2 0 9 - 0 0 X X - Z

BODY STYLE

2 - Female Straight

OF POSITIONS

02 - 24 Position SMT

MOUNTING STYLE

09 - Surface Mount Vertical
Type 2, with 1 SMT Shell Point,
9.3mm Height

CONTACT AREA PLATING

0 - 4u" Au
1 - 7u" Au
2 - 10u" Au
3 - 15u" Au
4 - 30u" Au

PACKAGING

0 - Tray
2 - Tape & Reel

RoHS COMPLIANT

Insulator Color

0 - Black

| Rev | Drawn | Checked | Approved | Date |
|-----|-------|---------|----------|----------|
| 0 | B.S. | S.M. | S.M. | 07/28/16 |

SMP TECHNOLOGY, INC.

USB 3.1 Receptacle, Surface Mount Vertical, Type 2, with SMT (1) Shell Point
9.3mm Height

SCALE :N/A

TOL. DEC. .X +/- 0.30 .XX +/- 0.25 .XXX +/- 0.10

UNIT: mm

SERIES: U025-0209-00XX-Z

Pg: 1