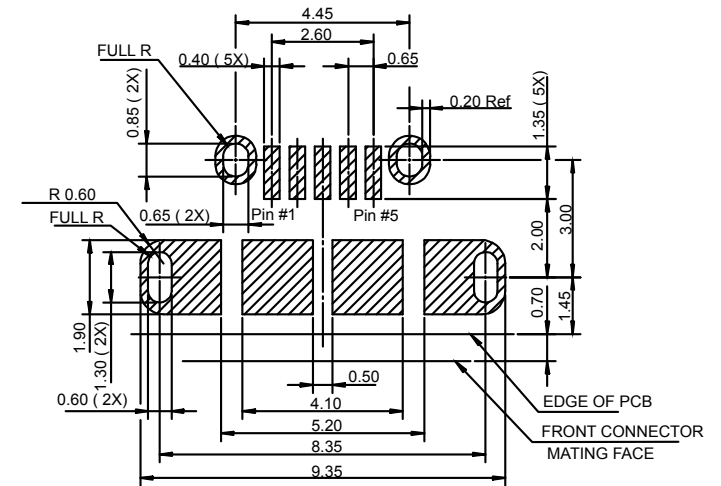
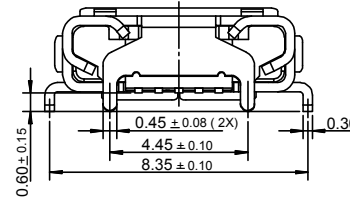
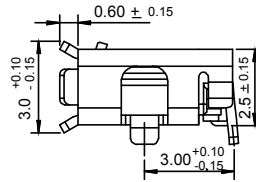
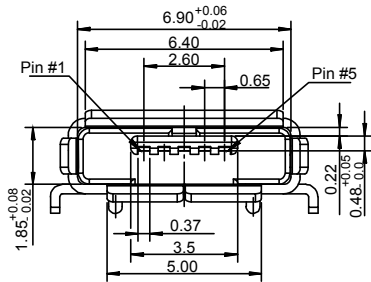
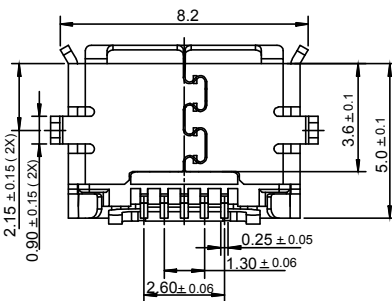


ISOMETRIC VIEW



RECOMMENDED PCB LAYOUT



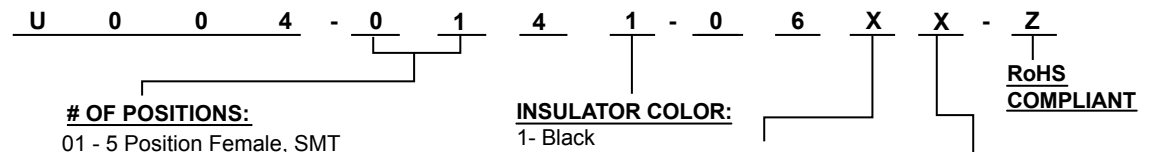
ELECTRICAL:

VOLTAGE RATING: 5V AC
 CURRENT RATING: 1.0 AMP
 DIELECTRIC STRENGTH: 100V AC
 INSULATION RESISTANCE: 100 MΩ Min.
 CONTACT RESISTANCE: 50 mΩ Max.

MATERIALS:

HOUSING: High Temperature Thermoplastic, UL94-VO;LCP
 COLOR: Black
 CONTACTS: Copper Alloy;Selective Gold Plating in Contact Area; Tin Plating on Tail section
 Over 50u" Nickel
 SHELL: Stainless Steel
 TEMPERATURE RANGE: -30°C to +80°C

HOW TO ORDER:



Rev	Drawn	Checked	Approved	Date
0	B.S.	S.M.	S.M.	01/21/10

SMP TECHNOLOGY, INC.

Micro USB Type AB , 5 Position, Female , Horizontal Surface Mount,

PC Tail w/ Thru Hole Shell Mounting Peg;

Tolerance : Dimension .X +/- 0.25 .XX +/- 0.20 .XGX +/- 0.15

SERIES: U004-0141-06XX-Z