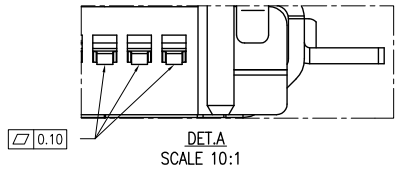
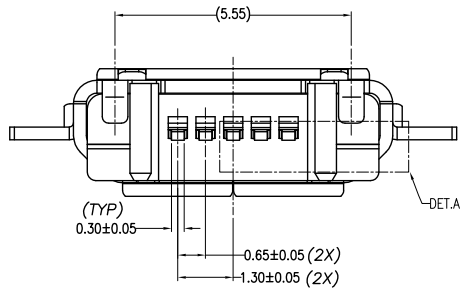
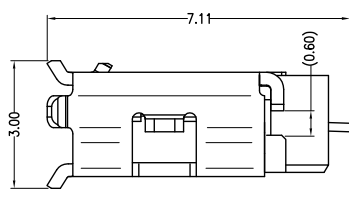
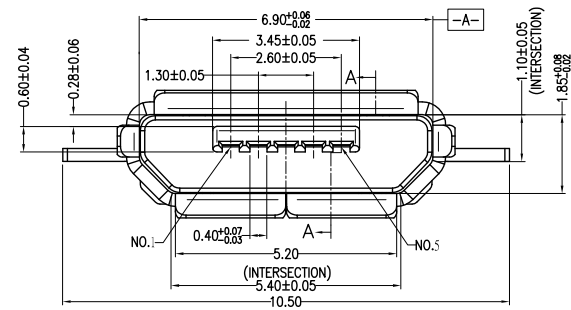


PCB LAYOUT
COMPONENT SIDE TOLERANCE:±0.05 T=0.80



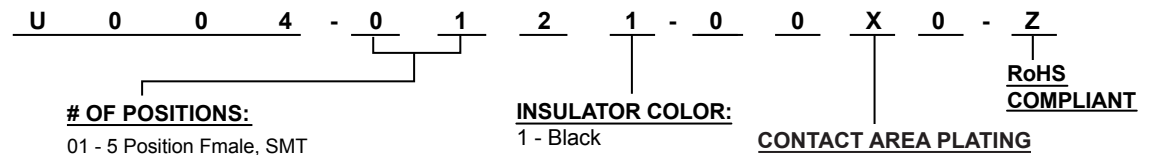
ELECTRICAL:

VOLTAGE RATING: 5V AC
CURRENT RATING: 1.5 AMP
DIELECTRIC STRENGTH: 100V AC
INSULATION RESISTANCE: 100 MΩ Min.
CONTACT RESISTANCE: 30 mΩ Max.

MATERIALS:

HOUSING: High Temperature Thermoplastic UL94-VO
COLOR: Black
CONTACTS: Copper Alloy
SHELL: Steel
TEMPERATURE RANGE: -30°C to +85°C

HOW TO ORDER:



Rev	Drawn	Checked	Approved	Date
0	B.S.	S.M.	S.M.	04/10/08

SMP TECHNOLOGY, INC.

Micro USB, 5 Position, Receptacle, Edge Mount

Tolerance : Dimension +/- 0.30 mm
Angle +/-3°

SERIES: U004-0121-00X0-Z