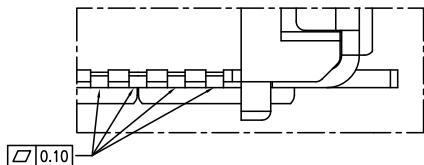
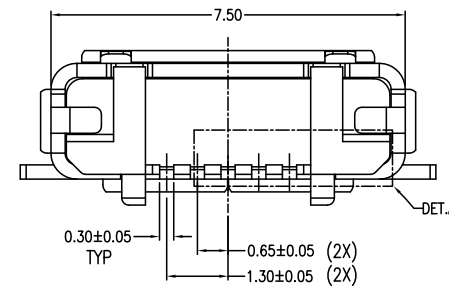
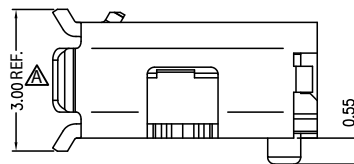
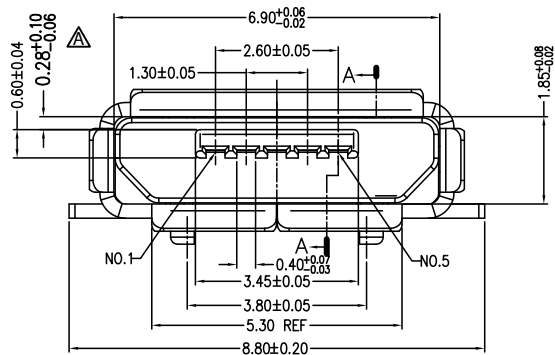


PCB LAYOUT
COMPONENT SIDER TOLERANCE: ±0.05



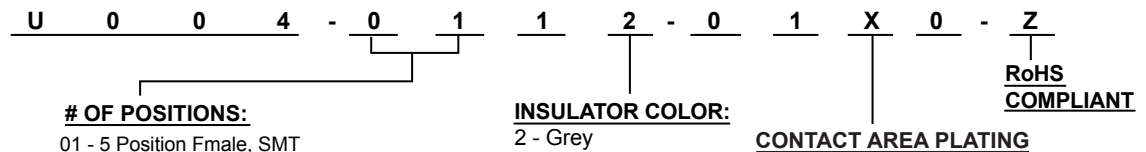
ELECTRICAL:

VOLTAGE RATING: 5V AC
CURRENT RATING: 1.5 AMP
DIELECTRIC STRENGTH: 100V AC
INSULATION RESISTANCE: 100 MΩ Min.
CONTACT RESISTANCE: 30 mΩ Max.

MATERIALS:

HOUSING: High Temperature Thermoplastic UL94-V0
COLOR: Black
CONTACTS: Copper Alloy
SHELL: Steel
TEMPERATURE RANGE: -30°C to +85°C

HOW TO ORDER:



Rev	Drawn	Checked	Approved	Date
0	B.S.	S.M.	S.M.	04/10/08
A	B.S.	S.M.	S.M.	01/26/10

SMP TECHNOLOGY, INC.

Micro USB, 5 Position, Receptacle, Surface Mount

Tolerance : Dimension +/- 0.20 mm
Angle +/- 3°

SERIES: U004-0112-01X0-Z