

Recommended PCB Layout

ELECTRICAL:

CURRENT RATING: 1A

CONTACT RESISTANCE:

< 15m W Max.

INSULATOR RESISTANCE:

> 1000M W Min.

DIELECTRIC WITHSTANDING VOLTAGE:

1000VAC for 1 Minute

OPERATING TEMPERATURE: -55° C to +105° C

MATERIAL:

INSULATOR: LCP UL94V-0

CONTACTS: Phosphor Bronze

TERMINAL: Copper Alloy

FINISH: Selective plating in contact area, 150u" Min.

Tin on solder tail, Both over 50u" Min.

Nickel Underplated.

SHELL: Copper Alloy / Steel with Nickel Plating

HOW TO ORDER:

U 0 0 3 - 0 5 7 X - X 0 X - Z X

NUMBER OF CONTACTS:
04 - 4 PIN SINGLE PORT

BODY STYLE:
7 - 9.9 X 9.2 Mini A/B

SHELL STYLE:
1 - With Tape on Shield (Top)
2 - Without Tape

INSULATOR COLOR:
0 - BLACK
1 - WHITE

MOUNTING STYLE:
0 - With Mounting Peg
(4.4 between pegs)

RoHS COMPLIANT

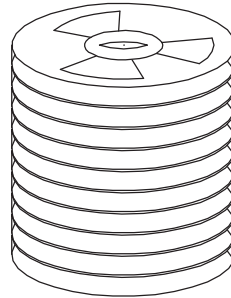
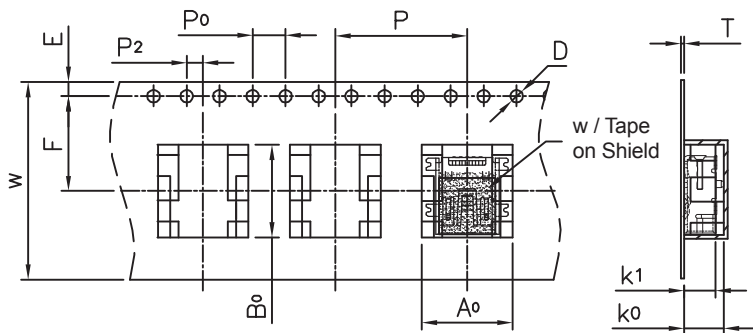
PACKAGING:
BLANK - T/R
1 - Tray
2 - Tube

SELECTIVE CONTACT PLATING:
1 - Gold
3 - 15u" Gold
4 - 30u" Gold

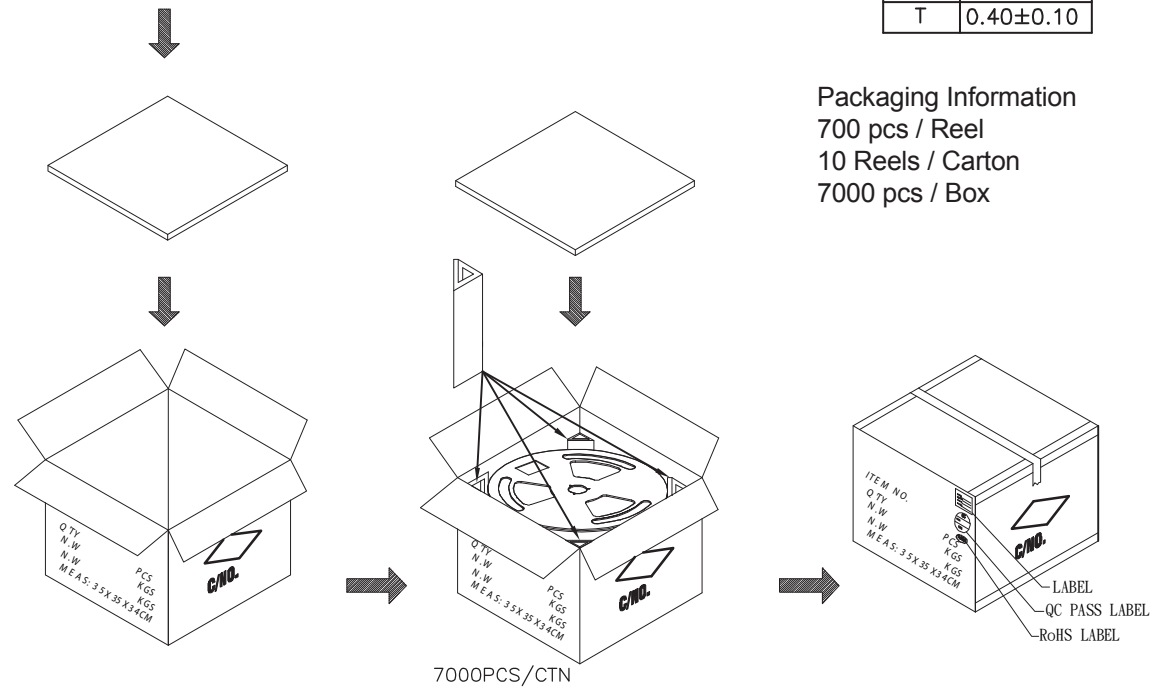
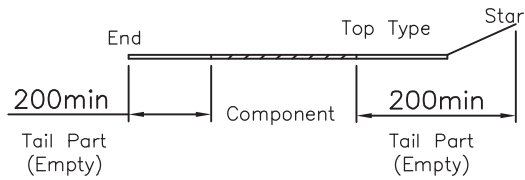
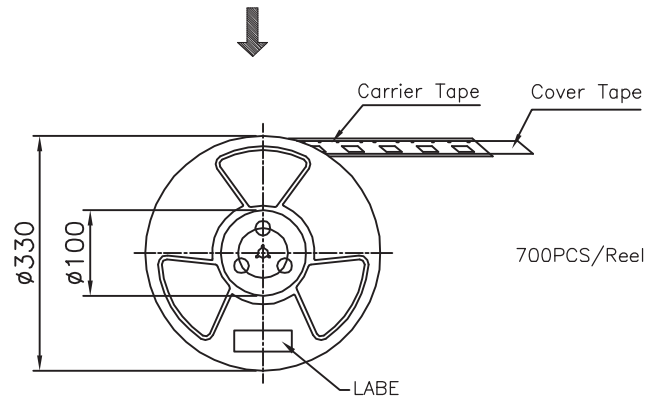
Rev	Drawn	Checked	Approved	Date
0	S.E.	S.M.	S.M.	10/1/97
A	WHS	S.M.	S.M.	7/11/06
B	B.S.	S.M.	S.M.	02/01/12

SMP TECHNOLOGY, INC.

Mini A/B USB Connector, Single Port, Right Angle, Surface Mount



ITEM	Dim.
W	24.0±0.30
A ₀	11.0±0.10
B ₀	11.3±0.10
K ₀	5.0±0.10
K ₁	3.5±0.10
E	1.75±0.10
F	11.5±0.10
P	16.0±0.10
P ₀	4.00±0.10
P ₂	2.00±0.10
D	∅1.5±0.10
T	0.40±0.10



Packaging Information
 700 pcs / Reel
 10 Reels / Carton
 7000 pcs / Box

SMP TECHNOLOGY, INC.
Mini A/B USB Connector, Single Port, Right Angle, Surface Mount
P/N : U003-057X-X0X-ZX