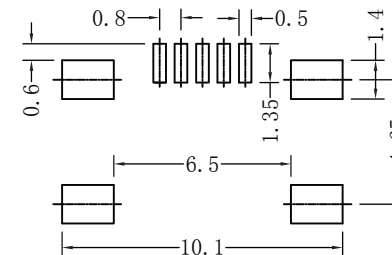
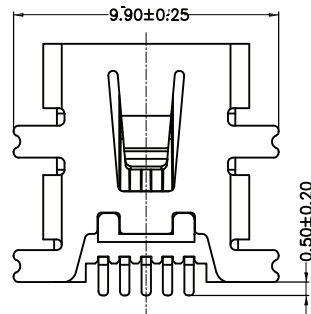
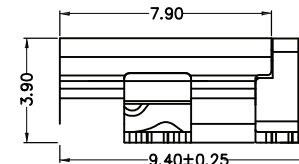
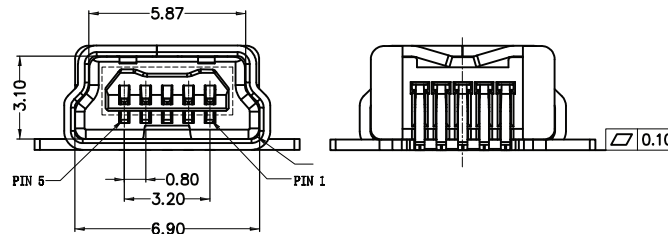


Isometric View



Recommended PCB Layout

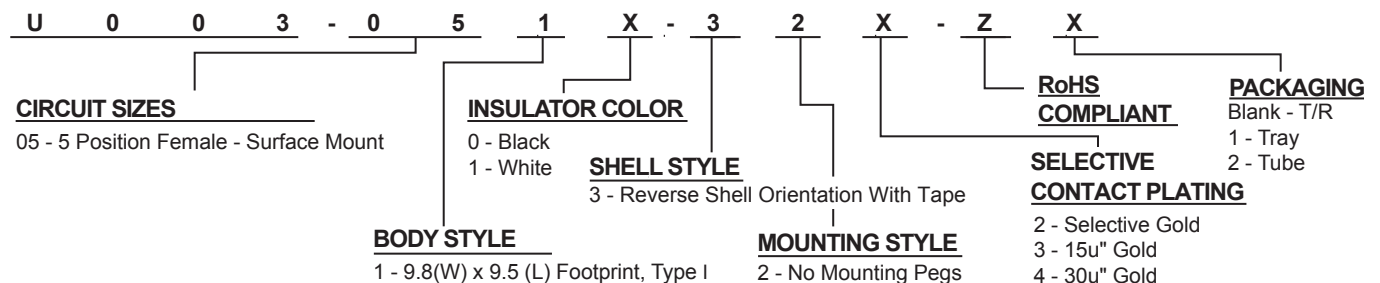
ELECTRICAL:

CURRENT RATING: 0.5A
 CONTACT RESISTANCE:
 < 30 Milliohm Max.
 INSULATION RESISTANCE:
 > 1000 Mgeaohm Min.
 DIELECTRIC WITHSTANDING VOLTAGE:
 750V (rms) AC for 1 Minute
 OPERATING TEMPERATURE: -55° C to +125° C

MATERIAL:

INSULATOR: Thermoplastic UL94V-0
 CONTACTS: Phosphor Bronze
 CONTACT PLATING:
 Gold Plating over Nickel on Contact Area,
 Tin/Lead Plating on Terminal
 SHELL: Phosphor Bronze
 SHELL PLATING: Tin Over Copper Alloy

HOW TO ORDER:



Rev	Description	Drawn	Checked	Approved	Date
0	Issued	B.S.	S.M.	S.M.	07/02/14

SMP TECHNOLOGY, INC.

Mini USB, 5 Position, Right Angle Female,
 Surface Mount, Reverse Shell Orientation

SCALE:n/a

TOL. DEC. .X +/- .XX +/- .XXX +/- ANGLE +/- UNIT: mm

P/N: U003-051X-32X-ZX