

RECOMMENDED PCB LAYOUT

**ELECTRICAL:**

CURRENT RATING: 1.5A

CONTACT RESISTANCE:  
< 30 Milliohm Max.

INSULATION RESISTANCE:  
> 1000 Megaohm Min. at 500DC

DIELECTRIC WITHSTANDING VOLTAGE:

500V (rms) AC for 1 Minute

OPERATING TEMPERATURE: -20°C to +60°C

**MATERIAL:**

INSULATOR: PA6T, UL94V-0

CONTACTS: Phosphor Bronze

CONTACT PLATING: Gold Plating over Nickel on Contact Area,  
Tin Plating on PCB Tail

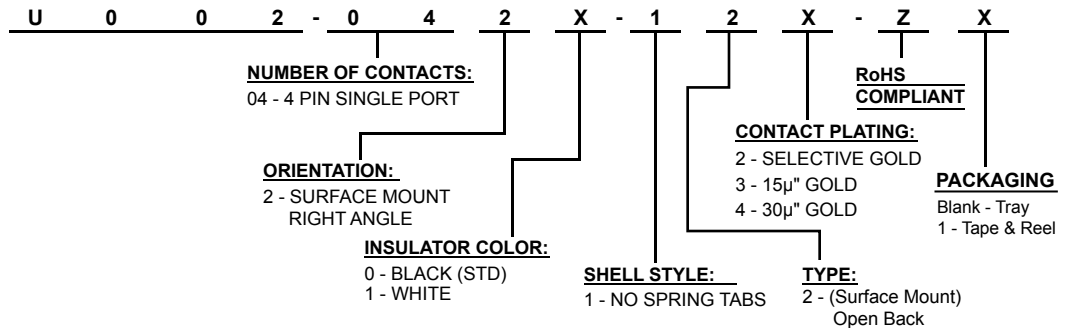
SHELL: Phosphor Bronze

SHELL PLATING: Nickel 80-120µ"

**MECHANICAL**

MAX PROCESS TEMP: 230°C for 30~60 Seconds  
260°C for 10 Seconds

**HOW TO ORDER:**



Rev	Description	Drawn	Checked	Approved	Date
0	Issued	S.E.	S.M.	S.M.	10/1/97
A	Revised	D.H.	S.M.	S.M.	7/20/04
B	Revised for RoHS Compliance	WHS	S.M.	S.M.	6/08/06
C	Revised Type - Open Back	B.S.	S.M.	S.M.	11/18/10
D	Revised for Shell Change	B.S.	S.M.	S.M.	03/22/18

**SMP TECHNOLOGY, INC.**

USB Connector 4 Pin, B Type, SMT, Right Angle

TOL. DEC. .X +/- 0.25 .XX +/- 0.15 .XXX +/- 0.075 ANGLE +/- UNIT: mm

SERIES: U002-042X-12X-ZX

Pg: 1