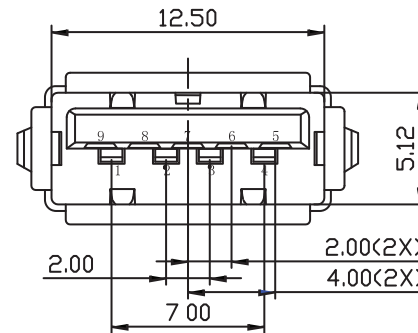
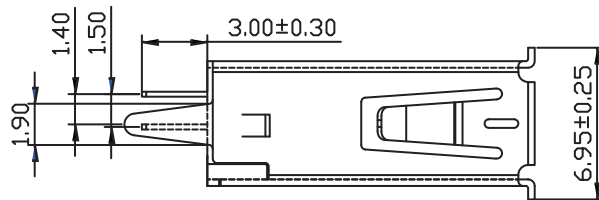


RECOMMENDED PCB LAYOUT



**HOW TO ORDER:**

U 0 0 1 - 0 9 1 2 - 9 0 X - Z

**NUMBER OF CONTACTS:**  
09 - RIGHT ANGLE SURFACE  
MOUNT CLOSED BACK

**DEFINITION:**  
1 - STRAIGHT

**INSULATOR COLOR:**  
2 - BLUE (Pantone 300C)

**# of LOCKS**  
1 - 4 Locks


**RoHS Compliant**

**SELECTIVE CONTACT PLATING:**  
1 - Gold  
3 - 15u" Au  
4 - 30u" Au

**ELECTRICAL:**

CURRENT RATING: 1.5A  
CONTACT RESISTANCE:  
< 30m W Max.  
INSULATOR RESISTANCE:  
> 1000M W Min.  
DIELECTRIC WITHSTANDING VOLTAGE:  
500V R.M.S.  
OPERATING TEMPERATURE: -40° C to +85° C

**MATERIAL:**

INSULATOR: LCP   
CONTACTS: Copper Alloy  
SHELL PLATING: Nickel

**MECHANICAL:**

CONTACT INSERTION FORCE: 3.57kg Max  
CONTACT SEPARATION FORCE: 1.02kg Min.

Rev	Drawn	Checked	Approved	Date
0	B.S.	S.M.	S.M.	05/23/13
A	B.S.	S.M.	S.M.	2/12/14S

**SMP TECHNOLOGY, INC.**

Usb 3.0 Connector, Type A, Female, 9 Position, Vertical, Thru Hole

SCALE: N/A

TOL. DEC. .X +/- 0.30 .XX +/- 0.20 .XXX +/- 0.15 ANGLE +/- UNIT: mm

P/N: U001-0912-90X-Z