

Recommended PCB Layout

**ELECTRICAL:**

CURRENT RATING: 1A  
 CONTACT RESISTANCE:  
 < 30 Milliohm Max.  
 INSULATION RESISTANCE:  
 > 1000 Mgeaohm Min.  
 DIELECTRIC WITHSTANDING VOLTAGE:  
 750V (rms) AC for 1 Minute  
 OPERATING TEMPERATURE: -55° C to +125° C  
 CAPACITANCE: 2pF Max.

**MATERIAL:**

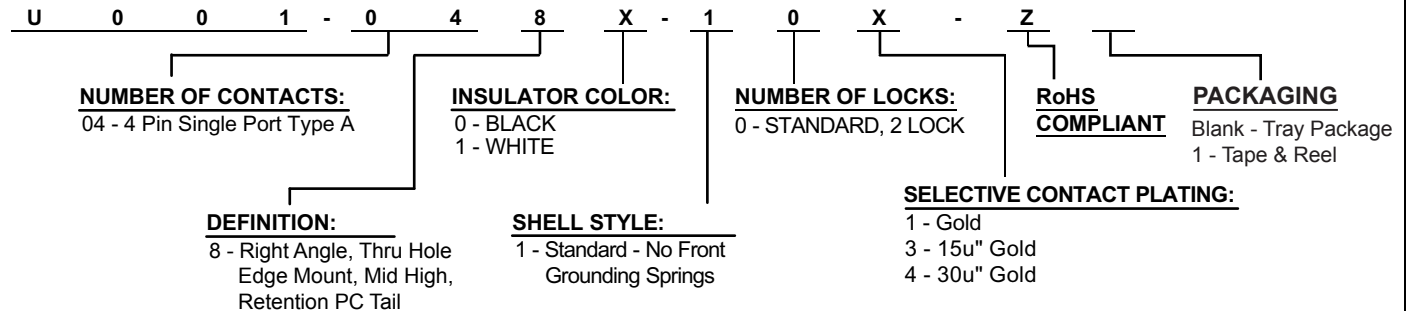
INSULATOR: Thermoplastic UL94V-0  
 CONTACTS: Phosphor Bronze  
 CONTACT PLATING:  
 Gold Plating over Nickel on Contact Area,  
 Tin/Lead Plating on Terminal  
 SHELL: Phosphor Bronze  
 SHELL PLATING: Tin Over Copper

**MECHANICAL:**

MATING FORCE: 35 Newton's Max.  
 UNMATING FORCE: 10 Newtons Min.

RECOMMENDED PC BOARD THICKNESS OF 1.57mm

**HOW TO ORDER:**



Rev	Drawn	Checked	Approved	Date
0	WHS	S.M.	S.M.	8/23/06
A	B.S.	S.M.	S.M.	7/31/07

**SMP TECHNOLOGY, INC.**

USB Connector, A Type, Right Angle, Thru Hole Edge Mount, Mid High, Retention PC Tail

SCALE: N/A

DRAWING No. HA-1

TOL. DEC. .X +/- 0.35 .XX +/- 0.25 .XXX +/- ANGLE +/- UNIT: mm

P/N: U 0 0 1 - 0 4 8 X - 1 0 X - Z