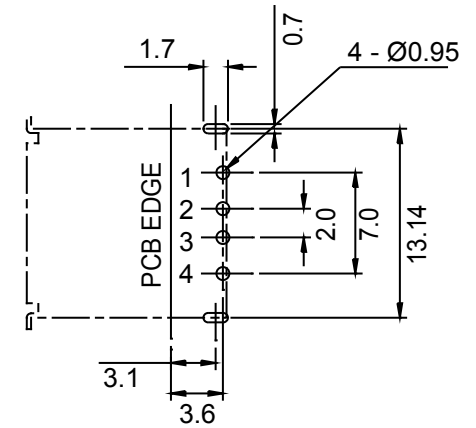
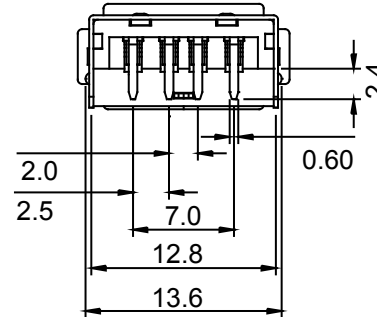
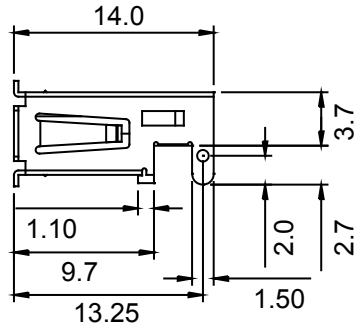
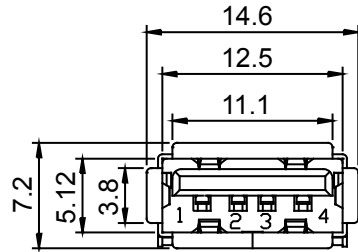


ISOMETRIC VIEW



RECOMMENDED PCB LAYOUT

ELECTRICAL:

CURRENT RATING: 1A
 CONTACT RESISTANCE:
 < 30 Milliohm Max.
 INSULATION RESISTANCE:
 > 1000 Megaohm Min.
 DIELECTRIC WITHSTANDING VOLTAGE:
 750V (rms) AC for 1 Minute
 OPERATING TEMPERATURE: -55° C to +125° C

MATERIAL:

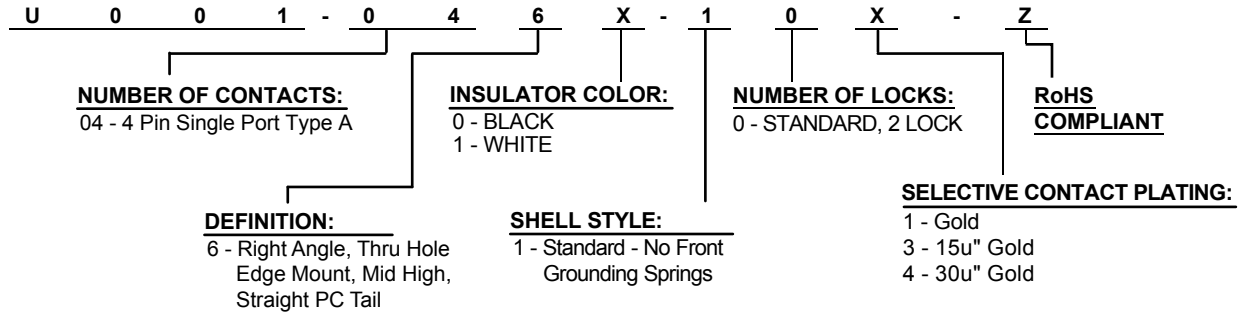
INSULATOR: Thermoplastic UL94V-0
 CONTACTS: Phosphor Bronze
 CONTACT PLATING:
 Gold Plating over Nickel on Contact Area,
 Tin Plating on Terminal Tail
 SHELL: Copper Alloy
 SHELL PLATING: Nickel

MECHANICAL:

MATING FORCE: 35 Newton's Max.
 UNMATING FORCE: 10 Newtons Min.

RECOMMENDED PC BOARD THICKNESS OF 1.57mm

HOW TO ORDER:



Rev	Drawn	Checked	Approved	Date
0	D.H.	S.M.	S.M.	07/13/04
A	WHS	S.M.	S.M.	08/23/06
B	B.S.	S.M.	S.M.	08/15/08
C	B.S.	S.M.	S.M.	05/21/18

SCALE: N/A
 DRAWING No. HA-1
 TOL. DEC. .X +/- 0.35 .XX +/- 0.25 .XXX +/- ANGLE +/- UNIT: mm

SMP TECHNOLOGY, INC.

USB Connector, A Type, Right Angle, Thru Hole Edge Mount, Mid High, Straight PC Tail

P/N: U 0 0 1 - 0 4 6 X - 1 0 X - Z Pg: 1