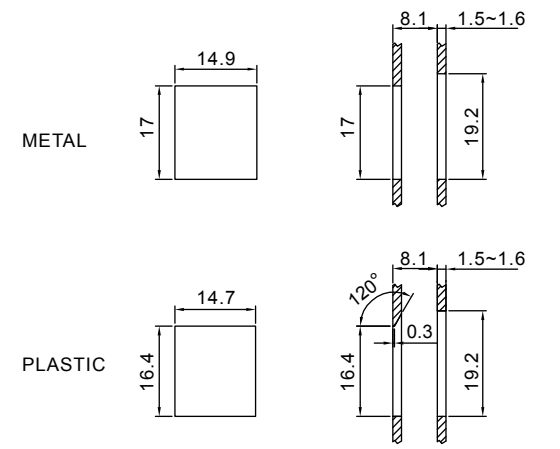


ISOMETRIC VIEW



SUGGESTED CUTOUT: FLUSH MOUNT APPLICATION

ELECTRICAL:
 CURRENT RATING: 1.5 AMPS MAX. DC
 INSULATION RESISTANCE: 500 Megaohms
 DIELECTRIC WITHSTANDING VOLTAGE:
 1000V (rms) AC for 1 Minute
 DC RESISTANCE: 0.1 Ohm
 CONTACT RESISTANCE: 20 Miliohms

MATERIAL:
 COUPLER HOUSING: Polycarbonate, UL94V-0
 CONTACT HOLDER: Polycarbonate, UL94V-0
 CONTACT: Phosphor Bronze, 50u" Gold Plating

MECHANICAL:
 DURABILITY: 750 Mating Cycles with FCC Compliant 8P Plug
 CONTACT FORCE: 100 grams with FCC Compliant 8P Plug
 PLUG RETENTION FORCE: 11 LBF min
 OPERATING TEMPERATURE: - 10° to 60° C
 STORAGE TEMPERATURE: - 40° to 68° C
 HUMIDITY: 10% - 90% RH

HOW TO ORDER:

M 0 0 7 - 8 8 0 0 - 8 2 4 - Z

P: NUMBER OF POSITIONS
C: NUMBER OF CONTACTS
 88-8P8C

GOLD PLATING:
 4-50mAu

8 - CAT 5e UNSHIELDED

RoHS COMPLIANT

Rev	Drawn	Checked	Approved	Date
0	B.S.	S.M.	S.M.	03/01/18

SMP TECHNOLOGY, INC.
 CAT 5e Inline Coupler, Mini Body, Unshielded

TOL. DEC. .X +/- 0.20 .XX +/- 0.40 .XXX +/- 0.5 ANGLE +/- 2° UNIT: mm

SERIES: M007-8800-824-Z Pg: 1