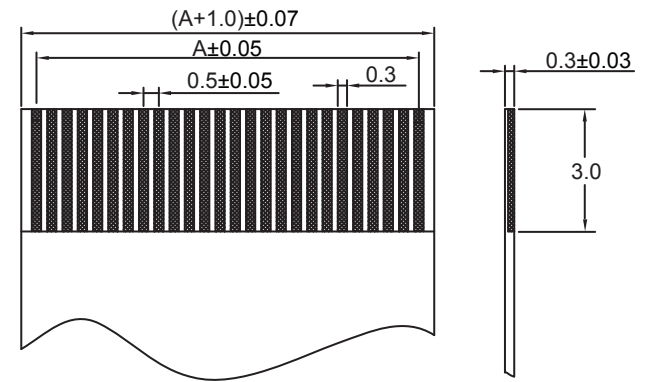
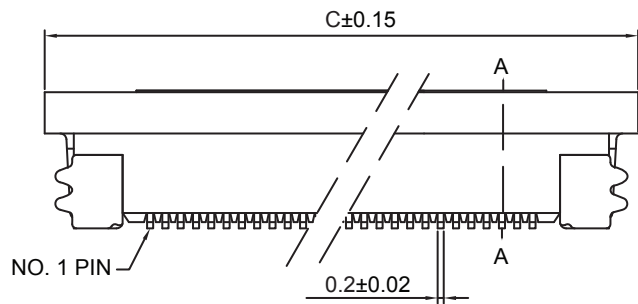


CLOSED POSTION

A - A
OPEN POSITION



FFC/FPC DIMENSION

ELECTRICAL:

CURRENT RATING: 0.5A
 VOLTAGE RATING: 50 VDC
 INSULATOR RESISTANCE: 100MΩ min. (at 500 VDC) > 500 Mohm
 DIELECTRIC WITHSTANDING VOLTAGE: AC 250V / 60sec.
 (Leak current must be 1mA max.)
 OPERATING TEMPERATURE: -25°C to +85°C

MATERIAL:

HOUSING: PA46 UL94V-0 /COLOR: Beige
 SLIDER: PPA UL94V-0 /COLOR: Black
 CONTACT PLATING: Copper Alloy /UNDER PLATING: Nickel (50μ") MIN.
 OVER PLATING: Au Flash or Bright Tin (100μ") MIN.
 LATCH: Copper Alloy w/ Bright Tin Plating (100μ") MIN.

HOW TO ORDER:

F 2 1 4 - X X 2 1 - 2 0 X - Z X

NUMBER OF CONTACTS: 04 to 60 - SEE TABLE PAGE 2

FOOTPRINT: 0 - STANDARD

PACKAGING: 0 - TUBE
2 - TAPE/REEL

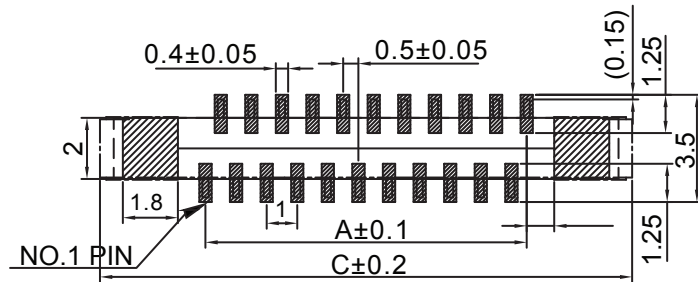
CONTACT PLATING OPTION: BLANK - BRIGHT TIN
1 - Au FLASH

RoHS COMPLIANT

Rev	Drawn	Checked	Approved	Date
E	B.S.	S.M.	S.M.	03/30/17

SMP TECHNOLOGY, INC.
 FFC Connectors, 0.5mm Pitch, Top Entry, ZIF, Surface Mount
 Standard Footprint

No. of Circuits	A	B	C	No. of Circuits	A	B	C
4	1.50	2.56	8.40	33	16.00	17.06	22.90
5	2.00	3.06	8.90	34	16.50	17.56	23.40
6	2.50	3.56	9.40	35	17.00	18.06	23.90
7	3.00	4.06	9.90	36	17.50	18.56	24.40
8	3.50	4.56	10.40	37	18.00	19.06	24.90
9	4.00	5.06	10.90	38	18.50	19.56	25.40
10	4.50	5.56	11.40	39	19.00	20.06	25.90
11	5.00	6.06	11.90	40	19.50	20.56	26.40
12	5.50	6.56	12.40	41	20.00	21.06	26.90
13	6.00	7.06	12.90	42	20.50	21.56	27.40
14	6.50	7.56	13.40	43	21.00	22.06	27.90
15	7.00	8.06	13.90	44	21.50	22.56	28.40
16	7.50	8.56	14.40	45	22.00	23.06	28.90
17	8.00	9.06	14.90	46	22.50	23.56	29.40
18	8.50	9.56	15.40	47	23.00	24.06	29.90
19	9.00	10.06	15.90	48	23.50	24.56	30.40
20	9.50	10.56	16.40	49	24.00	25.06	30.90
21	10.00	11.06	16.90	50	24.50	25.56	31.40
22	10.50	11.56	17.40	51	25.00	26.06	31.90
23	11.00	12.06	17.90	52	25.50	26.56	32.40
24	11.50	12.56	18.40	53	26.00	27.06	32.90
25	12.00	13.06	18.90	54	26.50	27.56	33.40
26	12.50	13.56	19.40	55	27.00	28.06	33.90
27	13.00	14.06	19.90	56	27.50	28.56	34.40
28	13.50	14.56	20.40	57	28.00	29.06	34.90
29	14.00	15.06	20.90	58	28.50	29.56	35.40
30	14.50	15.56	21.40	59	29.00	30.06	35.90
31	15.00	16.06	21.90	60	29.50	30.56	36.40
32	15.50	16.56	22.40				



RECOMMENDED PCB LAYOUT
(COMPONENT SIDE)

SMP TECHNOLOGY, INC.

FFC Connectors, 0.5mm Pitch, Top Entry, ZIF, Surface Mount

Standard Footprint