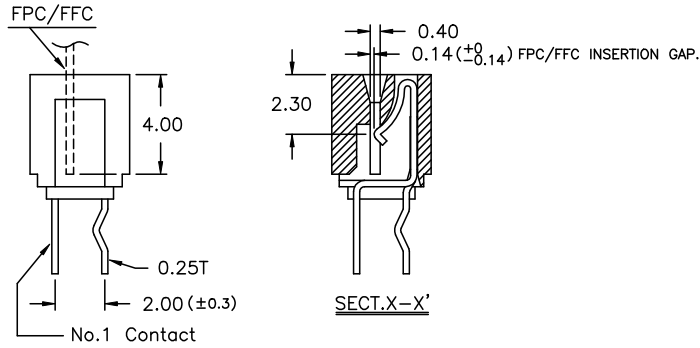
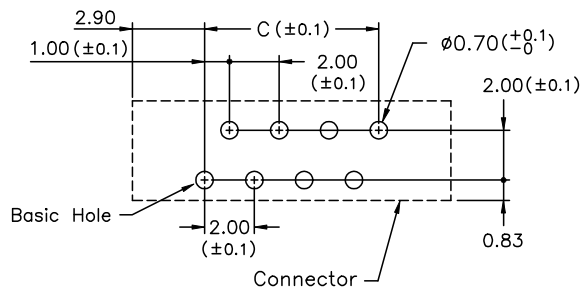
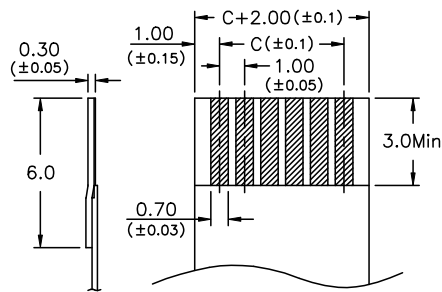


PCB Layout

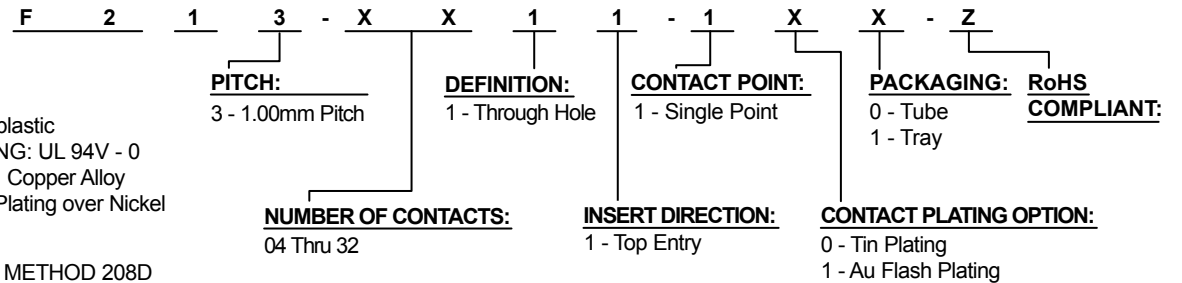


Applicable FPC



No. of Contacts	Dimensions		
	A	B	C
4	8.80	5.20	3.00
5	9.80	6.20	4.00
6	10.80	7.20	5.00
7	11.80	8.20	6.00
8	12.80	9.20	7.00
9	13.80	10.20	8.00
10	14.80	11.20	9.00
11	15.80	12.20	10.00
12	16.80	13.20	11.00
13	17.80	14.20	12.00
14	18.80	15.20	13.00
15	19.80	16.20	14.00
16	20.80	17.20	15.00
17	21.80	18.20	16.00
18	22.80	19.20	17.00
19	23.80	20.20	18.00
20	24.80	21.20	19.00
21	25.80	22.20	20.00
22	26.80	23.20	21.00
23	27.80	24.20	22.00
24	28.80	25.20	23.00
25	29.80	26.20	24.00
26	30.80	27.20	25.00
27	31.80	28.20	26.00
28	32.80	29.20	27.00
29	33.80	30.20	28.00
30	34.80	31.20	29.00
31	35.80	32.20	30.00
32	36.80	33.20	31.00

**HOW TO ORDER:**



**ELECTRICAL:**  
 CURRENT RATING: 0.5A Max.  
 CONTACT RESISTANCE: < 30 Milliohm Max.  
 INSULATION RESISTANCE: > 1000 Megaohm Min.  
 DIELECTRIC WITHSTANDING VOLTAGE: 500 Vrms  
 OPERATING TEMPERATURE: -25° C to +90° C

**MATERIAL:**  
 INSULATOR: Thermoplastic  
 FLAMMABILITY RATING: UL 94V - 0  
 CONTACT MATERIAL: Copper Alloy  
 PLATING: Tin or Gold Plating over Nickel

**SOLDERABILITY:**  
 PER MIL - STD - 202F METHOD 208D

Rev		Apv.	Date	<b>SMP TECHNOLOGY, INC.</b>
0	Issued	D.H.	05/19/04	
A	Revised Part No.	D.H.	06/10/04	
B	Revised for Gold Contact Plating Option	WHS	06/27/06	
SCALE:n/a				FPC Connector - LIF Type, 1.00mm Pitch Thru Hole, Top Entry
TOL. DEC.	.X +/- 0.2	.XX +/- 0.15	.XXX +/- 0.05	ANGLE +/-
UNIT: mm				P/N: F213 - XX11 - 1XX-Z