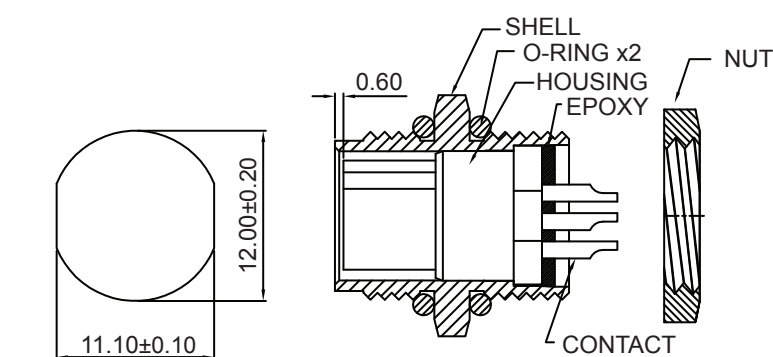
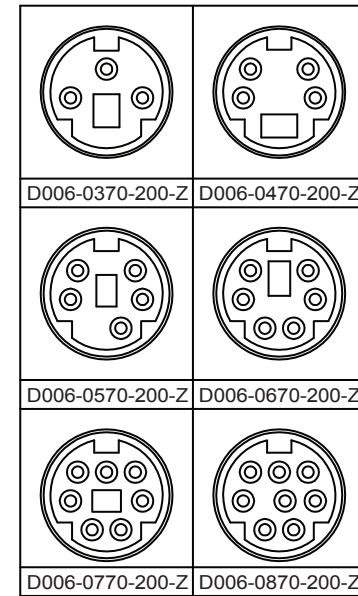


Nut
P/N: HW-N-M12x1.0-17



Panel Cutout



ELECTRICAL:

CURRENT RATING: 2 AMP / CONTACT
VOLTAGE RATING: 12 VDC
WATERPROOF: IPX7

MATERIAL:

HOUSING: THERMOPLASTIC PBT (UL94V-0), BLACK
CONTACT: COPPER ALLOY, Au FLASH OVER 50u" NICKEL
SHELL: BRASS, NICKEL PLATED
OPERATING TEMPERATURE: -20° C ~ 85° C

HOW TO ORDER:

D 0 0 6 - X X 7 0 - 2 0 0 - Z

NUMBER OF POSITIONS

- 03 - 3 Positions
- 04 - 4 Positions
- 05 - 5 Positions
- 06 - 6 Positions
- 07 - 7 Positions
- 08 - 8 Positions

RoHS COMPLIANT

PLATING:

0 - Au FLASH CONTACT AREA

Rev	Drawn	Checked	Approved.	Date	
0	Issued	B.S.	S.M.	S.M.	11/29/18

SMP TECHNOLOGY, INC.

Mini Din, Waterproof, All Metal, Rear Panel Mount, Rear Screw Mount

TOL. DEC. .X +/- 0.20 .XX +/- 0.10 .XXX +/- 0.05 ANGLE +/- 1° UNIT: mm

P/N: D006-XX70-200-Z