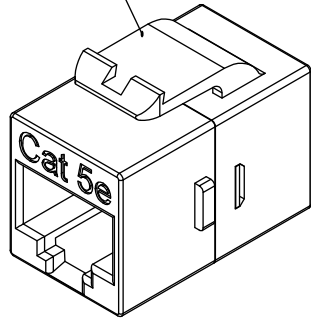


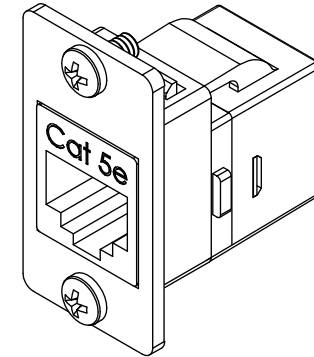
CAT 5e KEYSTONE COUPLER
SMP P/N: M007-8800-824-Z



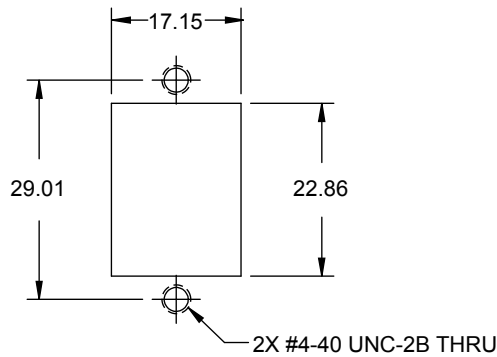
FLANGE MOUNTED BEZEL
SMP P/N: HW-BZ-KS-35.6-19.1

2x 4-40 UNC-2AX.25" Long
SMP P/N: HW-SP-U4-40-25

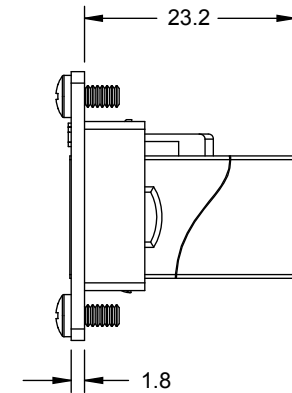
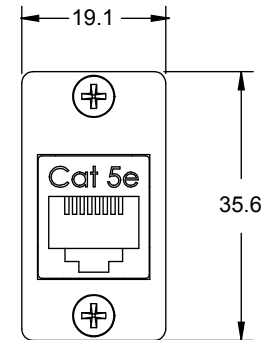
* NOTE: KIT IS SUPPLIED UNASSEMBLED
KIT INCLUDES:
1 - COUPLER
2 - FLANGE MOUNTED BEZEL
3 - MOUNTING SCREWS (2)



ISOMETRIC VIEW
FULLY ASSEMBLED KIT



RECOMMENDED
PANEL CUTOUT



HOW TO ORDER:

C 2 0 8 3 8 9 - Z

MATERIAL

FLANGE MOUNTED BEZEL: Zinc Alloy, Nickel Plated
RoHS Compliant

**RoHS
COMPLIANT**

Rev	Drawn	Checked	Approved	Date
0 Issued	B.S.	S.M.	S.M.	03/15/18

SMP TECHNOLOGY, INC.

RJ45 CAT 5e, Panel Mounted Coupler Kit, Non-Shielded
Coupler, Bezel and Screws

SCALE N/A

TOL. DEC. .X +/- 0.2 .XX +/- 0.15 .XXX +/- 0.10 ANGLE +/- UNIT: mm

P/N: C208389-Z