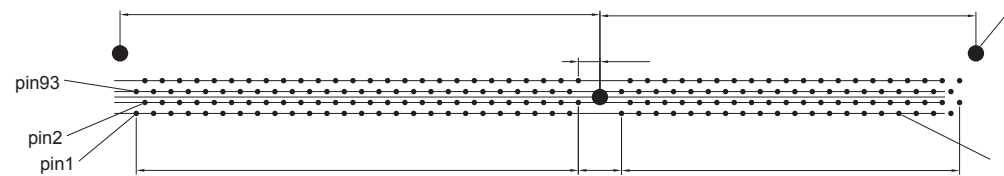


**TABLE 1**

CODE OF VOLTAGE KEY	MARK OF VOLTAGE KEY	DIM. A	
		mm	in
0	2.5V	6.62	0.261
1	1.8V	7.62	0.300

**ELECTRICAL:**

CURRENT RATING: 1A  
 VOLTAGE RATING: 500 VAC  
 CONTACT RESISTANCE:  
 30 Milliohm Max.  
 INSULATION RESISTANCE:  
 10000 Megaohm Min.  
 DIELECTRIC WITHSTANDING VOLTAGE:  
 500V (rms) AC for 1 Minute  
 CAPACITANCE: 1pF Max. at 1Mhz Between  
 Randomly Selected Adjacent Contacts  
 OPERATING TEMPERATURE: -55°C to +105°C



RECOMMENDED P.C.B LAYOUT  
 COMPONENT SIDE VIEW

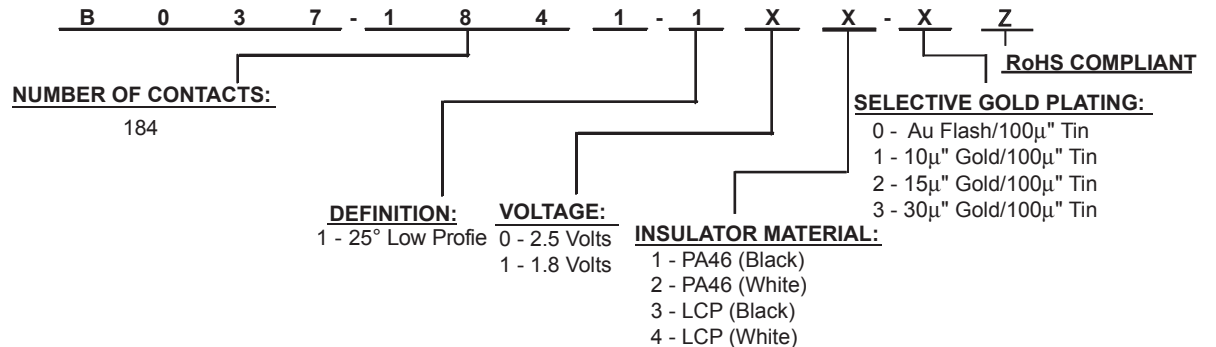
**MATERIAL:**

INSULATOR: High Temperature Thermoplastic, UL94V-0 RATED  
 LATCHES: High Temperature Thermoplastic, UL94V-0 RATED  
 CONTACT: Copper Alloy  
 PLATING: Gold over 50µ" (MIN.) Nickel in Contact Area and  
 over 100µ" (MIN.) Tin

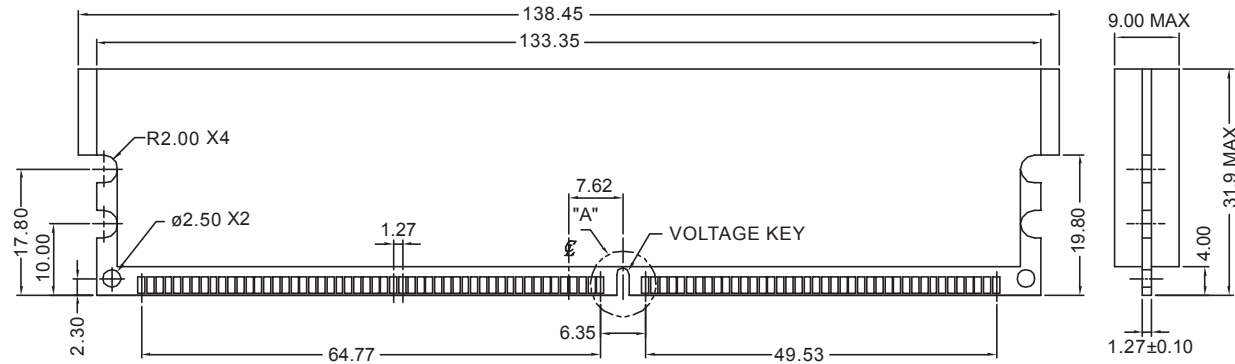
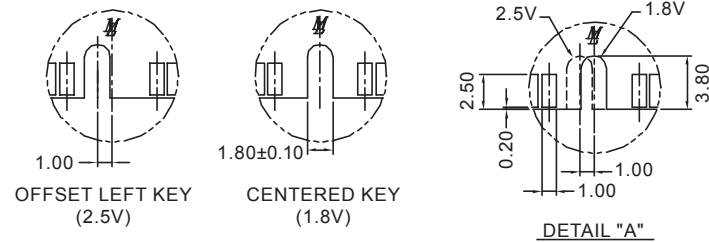
**MECHANICAL:**

DURABILITY: 25 Cycles Min.  
 CONTACT ENGAGING FORCE: 110 Grams Max. Per Contact Initial  
 CONTACT SEPERATION FORCE: 40 Grams Min Per Contact Initial

**HOW TO ORDER:**



Rev	Description	Drawn	Checked	Approved	Date	
0	Issued	A.M.	S.M.	S.M.	10/24/03	<b>SMP TECHNOLOGY, INC.</b>
A	Revised for RoHS Compliance	A.M.	S.M.	S.M.	07/20/05	
						DDR DIMM Socket, Low Profile (25° Slanted) ;Standard Orientation
						184 Position, Thru Hole, 1.8 Volt and 2.5 Volt
TOL. DEC.	.X +/- 0.38	.XX +/- 0.25	.XXX +/-	ANGLE +/- 3°	UNIT: mm	P/N: B037-1841-1XX-XZ



RECOMMENDED MODULE LAYOUT

Rev	Description	Drawn	Checked	Approved	Date	<b>SMP TECHNOLOGY, INC.</b>
0	Issued	A.M.	S.M.	S.M.	10/24/03	
A	Revised for RoHS Compliance	A.M.	S.M.	S.M.	07/20/05	
						DDR DIMM Socket, Low Profile (25° Slanted)
						184 Position, Thru Hole, 1.8 Volt and 2.5 Volt
TOL. DEC.	.X +/- 0.38	.XX +/- 0.25	.XXX +/-	ANGLE +/- 3°	UNIT: mm	P/N: B037-1841-1XX-XZ