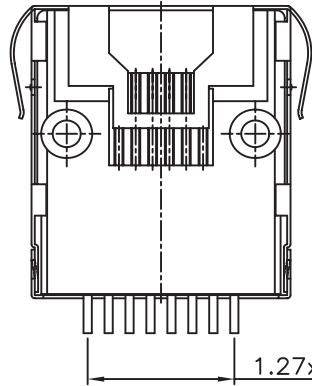


**Recommended PCB LAYOUT**



**DIMENSION(mm)**

NO. CONTACTS	A
2	1.27
4	3.81
6	6.35
8	8.89

**ELECTRICAL:**

CURRENT RATING: 1.5A  
 CONTACT RESISTANCE: < 30 mOhm Max.  
 INSULATOR RESISTANCE: > 500 Mohm Min.  
 DIELECTRIC WITHSTANDING VOLTAGE: 1000V RMS 50Hz or 60Hz Min.  
 OPERATING TEMPERATURE: -25° C TO +70° C

**MATERIAL:**

CONTACT: PHOSPHOR BRONZE  
 INSULATOR: HIGH TEMPERATURE THERMOPLASTIC (UL94V-0)

**HOW TO ORDER:**

**A 7 0 1 3 - 3 4 7 - 0 1 0 - X 0 - Z**

**NUMBER OF POSITIONS:** 3 - 8 POS

**NUMBER OF CONTACTS:** 2 - 4 CON 4 - 8 CON  
3 - 6 CON 5 - 10 CON

**KEYING OPTION:** 0 - W/ OUT KEY

**FLANGE:** 0 - NO FLANGE

**PLATING OVERALL:** 0 - FULL Au  
1 - 10u" Au  
2 - 15u" Au  
3 - 30u" Au

**SELECTIVE PLATING:** 6 - Au CONTACT AREA/TIN TAIL  
7 - 10u" Au CONTACT AREA/TIN TAIL  
8 - 15u" Au CONTACT AREA/TIN TAIL  
9 - 30u" Au CONTACT AREA/TIN TAIL  
A - 50u" Au CONTACT AREA/TIN TAIL

**SHIELD:** 7 - SHIELDED W/ SPRING TABS ON TOP & SIDES  
(OFF SET) SMT W/ MTG PEG & THRU HOLE SHIELD TABS

**NUMBER OF PORTS:** 01

**RoHS COMPLIANT**

Rev	Drawn	Checked	Approved	Date
0 Issued	B. S.	S.M.	S.M.	08/10/17

**SMP TECHNOLOGY, INC.**

RJ45 Jack, High Speed Low Profile, Surface Mount w/EMI Tabs on Top

SCALE	MAT'L	FINISH
-------	-------	--------

TOL. DEC. .X +/- 0.38 .XX +/- 0.25 .XXX +/-0.10 ANGLE +/- 3 UNIT: mm

P/N: A7013-347-010-X0-Z