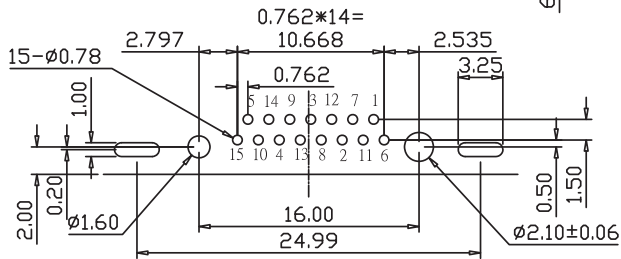
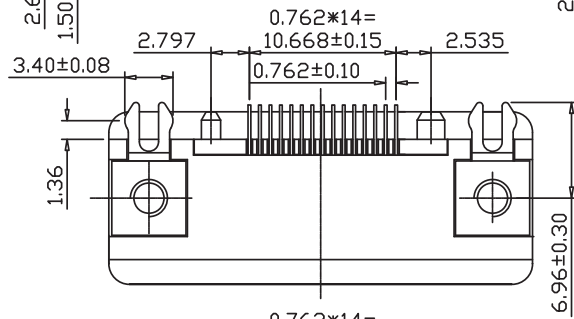
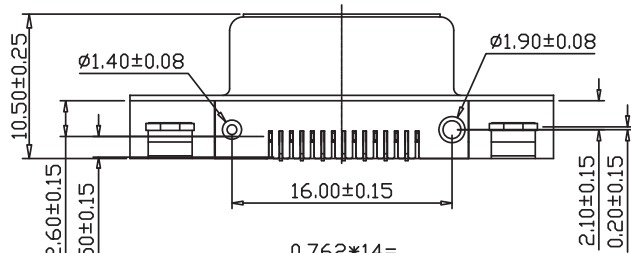


**ELECTRICAL:**

CURRENT: 1 AMP  
 VOLTAGE: 300V  
 WITHSTANDING VOLTAGE: 500V(r.m.s) For 1 MIN.  
 INSULATION RESISTANCE: > 1000M ohms at 500V DC  
 CONTACT RESISTANCE: 30m ohm MAX.  
 DIELECTRIC STRENGTH: 1000V AC For 1 MIN.  
 OPERATING TEMPERATURE: -55° C TO +105° C

**MATERIAL:**

INSULATOR: PBT w/GLASS FIBER (UL94V-0)  
 CONTACT: Phosphor Bronze  
 SHELL: Steel zinc plated or tin plated



**HOW TO ORDER:**

A 5 1 1 - 1 5 1 X - X 1 X - Z

**CONTACT TYPE:** 1 - FEMALE  
**NUMBER OF CONTACTS:** 15

**INSULATOR**

- 0 - PBT (Black)
- 1 - PBT (PC99 Color)
- 2 - High Temperature Nylon (Black)
- 3 - High Temperature Nylon (PC99 Color)

**FLANGE OPTION**

- 0 - # 4 / 40 Threaded Insert
- 1 - # 4 / 40 Threaded Insert  
With # 4 - 40 UNC  
Screwlock Installed
- 2 - # 4 / 40 Threaded Insert  
With # 4 - 40 UNC  
Screwlock (Bulk Packed)

**SELECTIVE GOLD PLATING:**

- 1 - Au FLASH CONTACT AREA/TIN TAIL
- 9 - 15u" Au CONTACT AREA/TIN TAIL
- A - 30u" Au CONTACT AREA/TIN TAIL

**RoHS COMPLIANT**

**RECOMMENDED P.C.B. LAYOUT**

Rev	Drawn	Checked	Approved	Date
0	A.M.	S.M.	S.M.	1/13/05
A	WHS	S.M.	S.M.	10/2/06
B	B.S.	S.M.	S.M.	7/31/07

**SMP TECHNOLOGY, INC.**

D-Sub Connector, Ultra Thin, 15 Position, High Density, Female, Thru Hole

TOL. DEC. .X +/- 0.25 .XX +/- 0.25 .XXX +/- 0.13 ANGLE +/- 2° UNIT: mm

P/N: A511-151X-X1X-Z