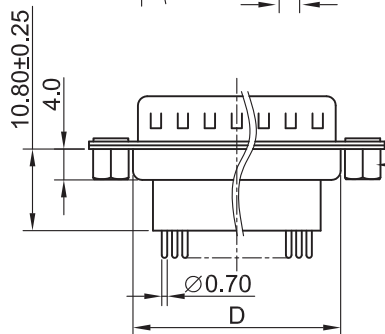


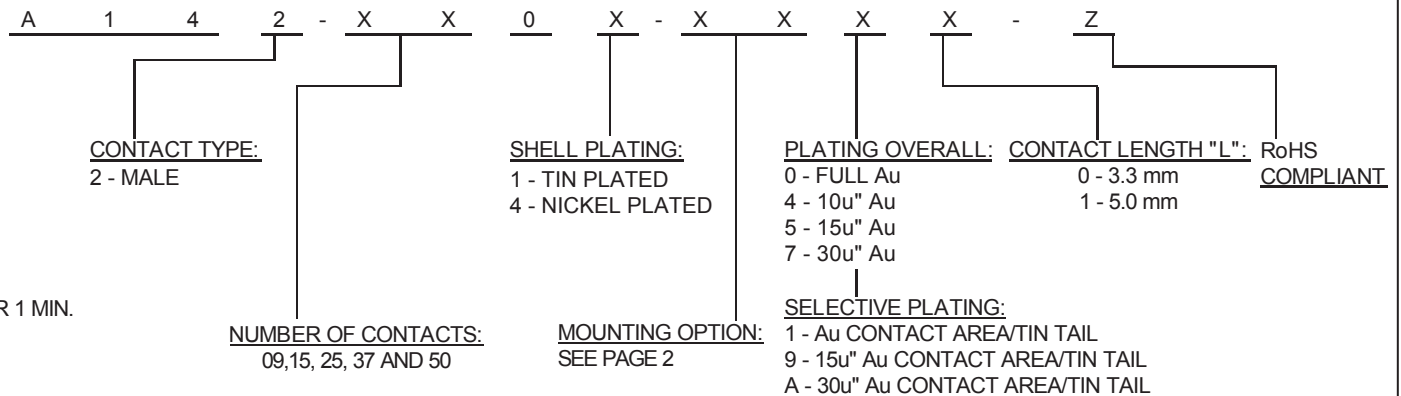
Recommended PCB Layout



NOTE: MOUNTING OPTION "11" SHOWN
SEE PAGE 2

# of Contacts	A±0.20	B±0.20	C±0.38	D±0.20
09	16.90	25.00	30.80	19.28
15	25.25	33.30	39.20	27.51
25	38.95	47.05	53.05	41.28
37	55.40	63.50	69.40	57.71

HOW TO ORDER:



ELECTRICAL:

CURRENT RATING: 5A
CONTACT RESISTANCE: < 30m Ω
INSULATOR RESISTANCE: > 1000M Ω
DIELECTRIC WITHSTANDING VOLTAGE: 500V AC FOR 1 MIN.
OPERATING TEMPERATURE: -55° C TO +105° C

MATERIAL:

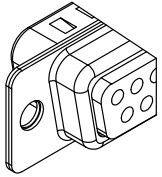
CONTACT: COPPER ALLOY
INSULATOR: PBT & 30% GLASS FIBER (UL94V-0), Black

Rev	Drawn	Checked	Approved	Date	
0	S.E.	S.M.	S.M.	10/1/97	SMP TECHNOLOGY, INC.
A	B.S.	S.M.	S.M.	11/29/06	D-SUB CONNECTOR, MALE, STRAIGHT, PCB MOUNT, HIGH PROFILE, MACHINE
B	B.S.	S.M.	S.M.	09/16/14	
SCALE : N/A					CONTACTS
TOL. DEC. .X +/- 0.35 .XX +/- 0.25 .XXX +/- 0.15 ANGLE +/- UNIT: mm					SERIES: A142-XX0X-XXXX-Z

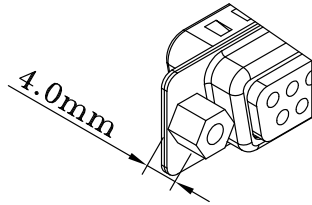
MOUNTING OPTIONS

A141 & A142 SERIES

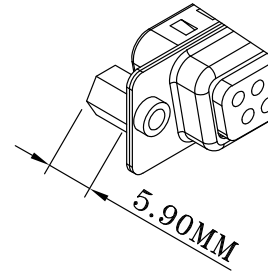
MOUNTING OPTION 10
3.05 MM DIAMETER NON-
THREADED MOUNTING HOLE



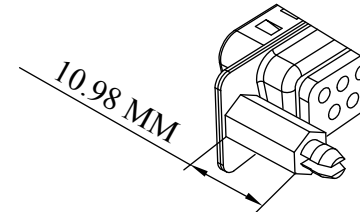
MOUNTING OPTION 11 :
RIVETED 4-40 UNC SCREW LOCK ON
BACK SIDE OF SHELL



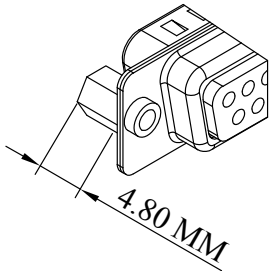
MOUNTING OPTION 12 :
RIVETED 4-40 UNC SCREW LOCK ON
FRONT SIDE OF SHELL



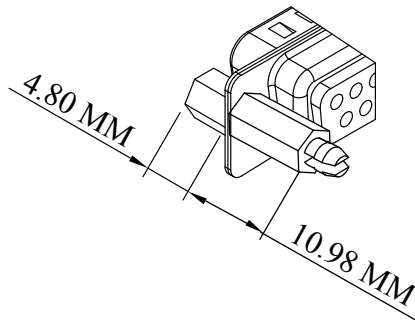
MOUNTING OPTION 13:
RIVETED 10.98 mm 4-40 UNC SCREW
LOCK ON BACK SIDE OF SHELL



MOUNTING OPTION 14 :
4.8 mm RIVETED 4-40 SCREW LOCK
ON FRONT SIDE OF SHELL



MOUNTING OPTION 15 :
RIVETED 10.98 mm 4-40 UNC SCREW
LOCK ON BACK SIDE OF SHELL; 4.80 mm
UNC SCREWLOCK ATTACHED TO FRONT
SIDE OF SHELL



MOUNTING OPTION 18 :
RIVETED 10.98 mm 4-40 UNC SCREW
LOCK ON BACK SIDE OF SHELL; 5.90 mm
UNC SCREWLOCK ATTACHED TO FRONT
SIDE OF SHELL

