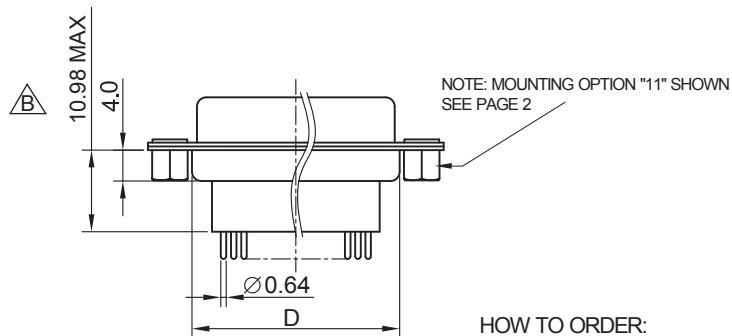


Recommended PCB Layout



# of Contacts	A±0.20	B±0.20	C±0.38	D±0.20
09	16.30	25.00	30.80	19.15
15	24.60	33.30	39.20	27.60
25	38.35	47.05	53.05	41.10
37	54.80	63.50	69.40	57.40

HOW TO ORDER:

A 1 4 1 - X X 1 X - X X X X - Z

CONTACT TYPE:  
RECEPTACLE

SHELL PLATING:  
1 - TIN PLATED  
4 - NICKEL PLATED

PLATING OVERALL:

0 - FULL Au  
4 - 10u" Au  
5 - 15u" Au  
7 - 30u" Au

CONTACT LENGTH "L":

0 - 3.3 mm  
1 - 5.0 mm

RoHS  
COMPLIANT

NUMBER OF CONTACTS:  
09,15, 25, 37

MOUNTING OPTION:  
SEE PAGE 2

SELECTIVE PLATING:

1 - Au CONTACT AREA/TIN TAIL  
9 - 15u" Au CONTACT AREA/TIN TAIL  
A - 30u" Au CONTACT AREA/TIN TAIL

**ELECTRICAL:**

CURRENT RATING: 5A  
CONTACT RESISTANCE: < 30m Ω  
INSULATOR RESISTANCE: > 1000M Ω  
DIELECTRIC WITHSTANDING VOLTAGE: 500V AC FOR 1 MIN.  
OPERATING TEMPERATURE: -55° C TO +105° C

**MATERIAL:**

CONTACT: COPPER ALLOY  
INSULATOR: PBT & 30% GLASS FIBER (UL94V-0), Black

Rev	Drawn	Checked	Approved	Date	
0	Issued	B.S.	S.M.	S.M.	12/6/06
A	Revised for RoHS Compliance	B.S.	S.M.	S.M.	12/6/06
B	Revised Dimensions	B.S.	S.M.	S.M.	09/16/14

SMP TECHNOLOGY, INC.	
D-SUB CONNECTOR, FEMALE, STRAIGHT, PCB MOUNT, HIGH PROFILE, STAMPED	
CONTACTS	

SCALE : N/A

TOL. DEC. .X +/- 0.25 .XX +/- 0.15 .XXX +/- 0.05 ANGLE +/- 1° UNIT: mm

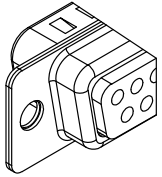
SERIES: A141-XX1X-XXXX-Z Pg: 1

# MOUNTING OPTIONS

## A141 & A142 SERIES

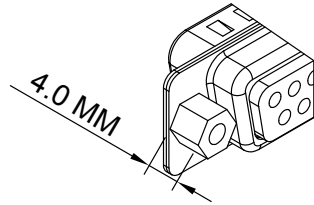
### MOUNTING OPTION 10

3.05 MM DIAMETER NON-THREADED MOUNTING HOLE



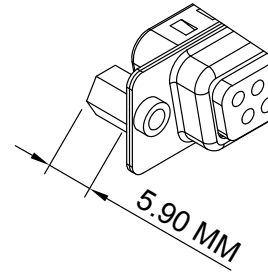
### MOUNTING OPTION 11 :

RIVETED 4-40 UNC SCREW LOCK ON BACK SIDE OF SHELL



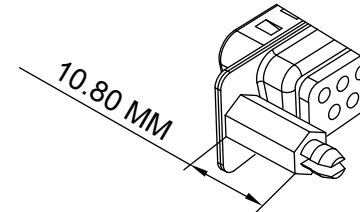
### MOUNTING OPTION 12 :

RIVETED 4-40 UNC SCREW LOCK ON FRONT SIDE OF SHELL



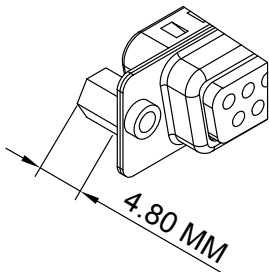
### MOUNTING OPTION 13:

RIVETED 10.98 mm 4-40 UNC SCREW LOCK ON BACK SIDE OF SHELL



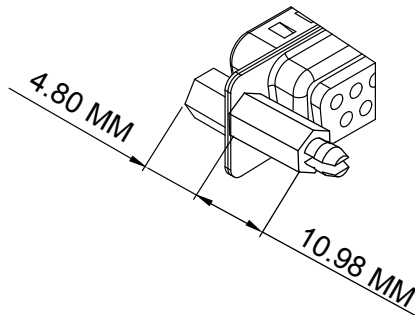
### MOUNTING OPTION 14 :

4.8 mm RIVETED 4-40 SCREW LOCK ON FRONT SIDE OF SHELL



### MOUNTING OPTION 15 :

RIVETED 10.98 mm 4-40 UNC SCREW LOCK ON BACK SIDE OF SHELL; 4.80 mm UNC SCREWLOCK ATTACHED TO FRONT SIDE OF SHELL



### MOUNTING OPTION 18 :

RIVETED 10.98 mm 4-40 UNC SCREW LOCK ON BACK SIDE OF SHELL; 5.90 mm UNC SCREWLOCK ATTACHED TO FRONT SIDE OF SHELL

