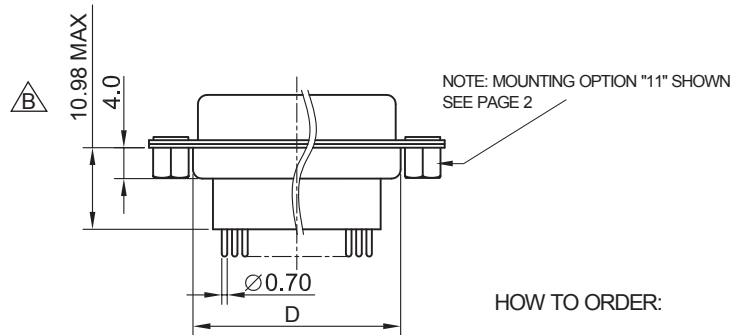
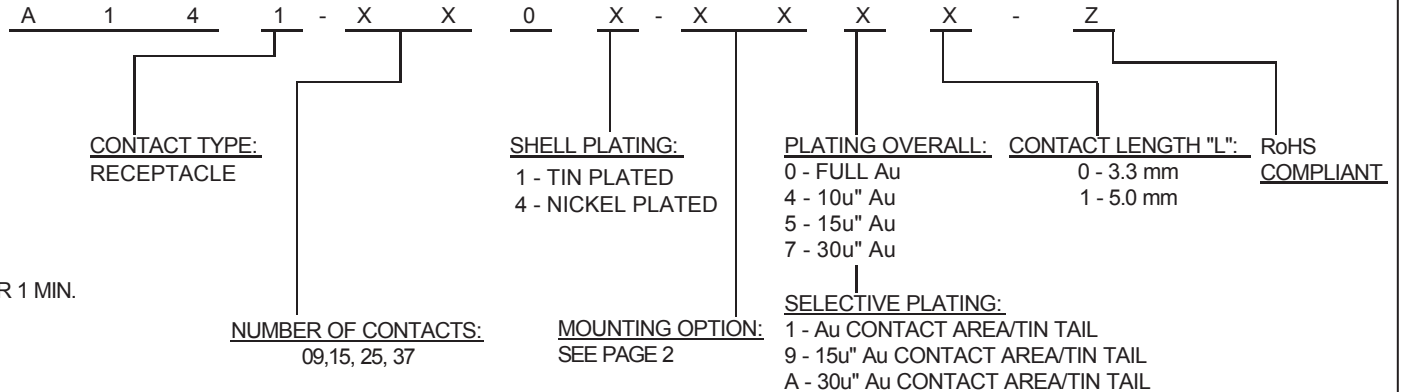


Recommended PCB Layout



# of Contacts	A±0.20	B±0.25	C±0.38
09	16.33	24.99	30.80
15	24.65	33.32	39.20
25	38.38	47.04	53.04
37	54.84	63.50	69.32

HOW TO ORDER:



ELECTRICAL:

CURRENT RATING: 5A
 CONTACT RESISTANCE: < 30m Ω
 INSULATOR RESISTANCE: > 1000M Ω
 DIELECTRIC WITHSTANDING VOLTAGE: 500V AC FOR 1 MIN.
 OPERATING TEMPERATURE: -55° C TO +105° C

MATERIAL:

CONTACT: COPPER ALLOY
 INSULATOR: PBT & 30% GLASS FIBER (UL94V-0), Black

Rev	Drawn	Checked	Approved	Date
0	B.S.	S.M.	S.M.	12/6/06
A	B.S.	S.M.	S.M.	12/6/06
B	B.S.	S.M.	S.M.	09/16/14

SMP TECHNOLOGY, INC.

D-SUB CONNECTOR, FEMALE, STRAIGHT, PCB MOUNT, HIGH PROFILE, MACHINE

SCALE : N/A

CONTACTS

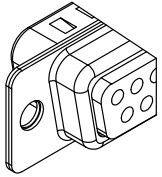
TOL. DEC. .X +/- 0.25 .XX +/- 0.15 .XXX +/- 0.05 ANGLE +/- 1° UNIT: mm

SERIES: A141-XX0X-XXXX-Z

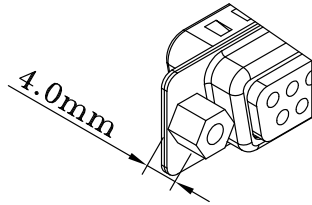
MOUNTING OPTIONS

A141 & A142 SERIES

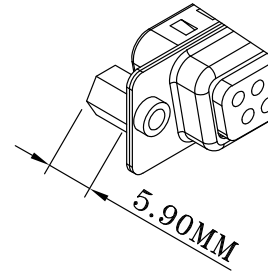
MOUNTING OPTION 10
3.05 MM DIAMETER NON-
THREADED MOUNTING HOLE



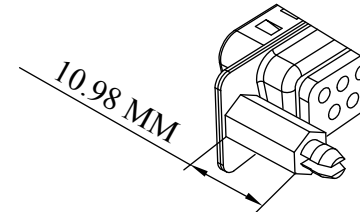
MOUNTING OPTION 11 :
RIVETED 4-40 UNC SCREW LOCK ON
BACK SIDE OF SHELL



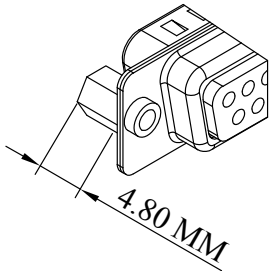
MOUNTING OPTION 12 :
RIVETED 4-40 UNC SCREW LOCK ON
FRONT SIDE OF SHELL



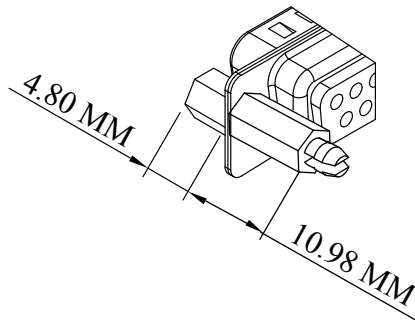
MOUNTING OPTION 13:
RIVETED 10.98 mm 4-40 UNC SCREW
LOCK ON BACK SIDE OF SHELL



MOUNTING OPTION 14 :
4.8 mm RIVETED 4-40 SCREW LOCK
ON FRONT SIDE OF SHELL



MOUNTING OPTION 15 :
RIVETED 10.98 mm 4-40 UNC SCREW
LOCK ON BACK SIDE OF SHELL; 4.80 mm
UNC SCREWLOCK ATTACHED TO FRONT
SIDE OF SHELL



MOUNTING OPTION 18 :
RIVETED 10.98 mm 4-40 UNC SCREW
LOCK ON BACK SIDE OF SHELL; 5.90 mm
UNC SCREWLOCK ATTACHED TO FRONT
SIDE OF SHELL

